

Drive System

BEARING HOUSINGS

COUPLER SHAFTS

DRIVE SHAFTS

DRIVE SHAFT KITS

IMPELLERS

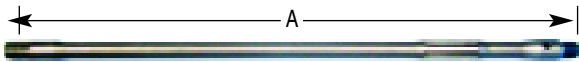
JET PUMP HOUSINGS

JET PUMP KITS

WEAR RINGS

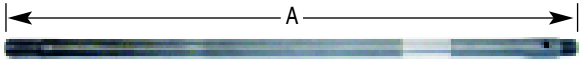
Drive Shafts

Kawasaki



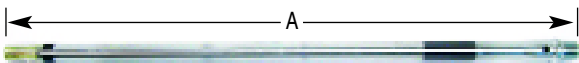
LENGTH (A) = 23 5/8"

PART NO: 003-160 O.E. NO: 39159-3712



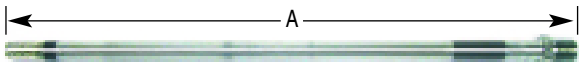
LENGTH (A) = 24 7/16"

PART NO: 003-161 O.E. NO: 39159-3714



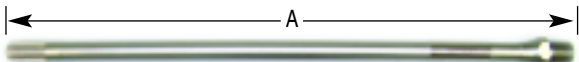
LENGTH (A) = 23 11/16"

PART NO: 003-161-01 O.E. NO: 39159-3717



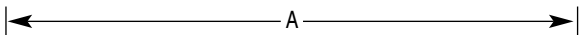
LENGTH (A) = 23 1/8"

PART NO: 003-161-02 O.E. NO: 39159-3732



LENGTH (A) = 21 3/4"

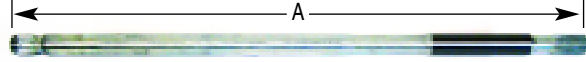
PART NO: 003-161-03 O.E. NO: 39159-3730



LENGTH (A) = "

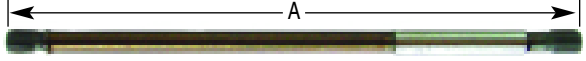
PART NO: 003-161-04 O.E. NO: 39159-3724, 39159-3740

Polaris



LENGTH (A) = 24 3/8"

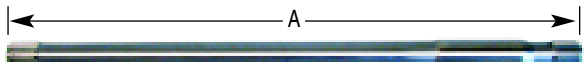
PART NO: 003-155-02 O.E. NO: 6230253



LENGTH (A) = 20 1/2" GROOVE TO END (B) = 2"

PART NO: 003-155-03 O.E. NO: 6230216

Sea-Do



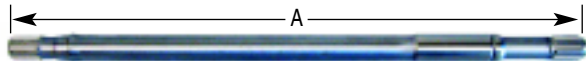
LENGTH (A) = 17"

PART NO: 003-150 O.E. NO: 272-000-020 s.s./272-000-065



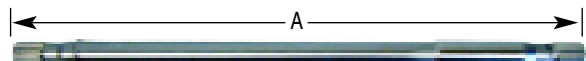
LENGTH (A) = 19 7/8"

PART NO: 003-151 O.E. NO: 272-000-062



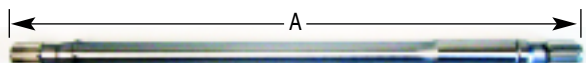
LENGTH (A) = 18" GROOVE TO END (B) = 3"

PART NO: 003-152 O.E. NO: 272-000-096



LENGTH (A) = 17"

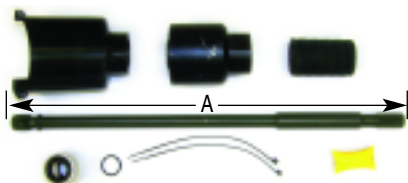
PART NO: 003-153 O.E. NO: 272-000-055



LENGTH (A) = 17" GROOVE TO END (B) = 2"

PART NO: 003-154 O.E. NO: 272-000-073

Polaris



LENGTH (A) = 20 3/8"

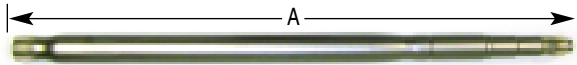
PART NO: 003-155 O.E. NO: 6230066

Drive System

2011 Watercraft Parts & Accessories

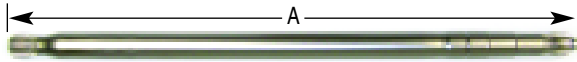
Drive Shafts

Sea-Doo continued



LENGTH (A) = 23"

PART NO: 003-156 O.E. NO: 271001449



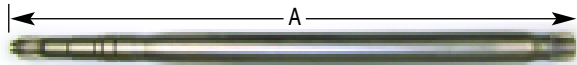
LENGTH (A) = 23 1/4"

PART NO: 003-157 O.E. NO: 271-001-534



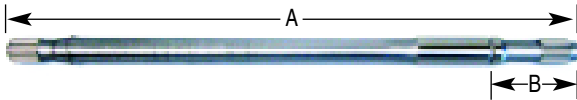
LENGTH (A) = 24 3/4"

PART NO: 003-158 O.E. NO: 271-001-432



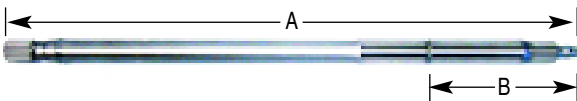
LENGTH (A) = 23 1/4"

PART NO: 003-158-01 O.E. NO: 271-001-550



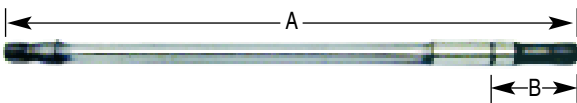
LENGTH (A) = 17 3/4" GROOVE TO END (B) = 2 3/4"

PART NO: 003-159 O.E. NO: 272-000-151



LENGTH (A) = 20 1/2" GROOVE TO END (B) = 5 7/16"

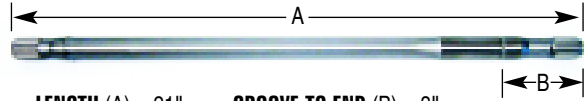
PART NO: 003-163 O.E. NO: 272-000-009



LENGTH (A) = 21" GROOVE TO END (B) = 3 3/16"

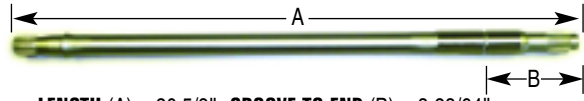
PART NO: 003-164 O.E. NO: 272-000-127

Sea-Doo continued



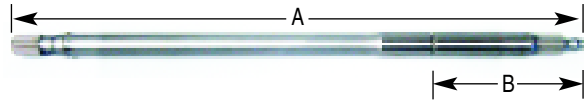
LENGTH (A) = 21" GROOVE TO END (B) = 3"

PART NO: 003-166 O.E. NO: 272-000-077



LENGTH (A) = 20 5/8" GROOVE TO END (B) = 3 23/64"

PART NO: 003-168 O.E. NO: 272-000-160



LENGTH (A) = 20 7/16" GROOVE TO END (B) = 5 9/16"

PART NO: 003-169 O.E. NO: 270-000-150

Tiger Shark

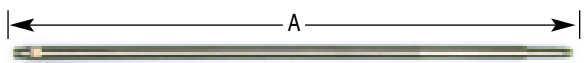
LENGTH (A) = t/b/a

PART NO: 003-190 O.E. NO: 0675-173



LENGTH (A) = 23"

PART NO: 003-191 O.E. NO: 0673-363



LENGTH (A) = 35.5"

PART NO: 003-192 O.E. NO: 0673-041

Drive System

2014 Watercraft Parts & Accessories



New York • 1-800-222-3375
631-244-8060 • fax 631-244-0556
61 Floyd Run, Bohemia, NY 11716

Puerto Rico
787-832-2499 • fax 787-832-2939
234 Balboa Street, Mayaguez, Puerto Rico 00681-2605

e-mail: info@wsmparts.com • www.wsmparts.com

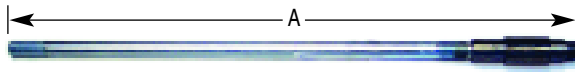


Drive Shafts

Drive System

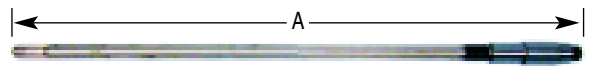
2011 Watercraft Parts & Accessories

Yamaha



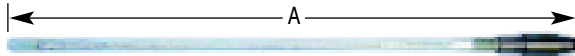
LENGTH (A) = 26"

PART NO: 003-170 O.E. NO: 6R7-45511-01-00



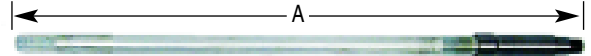
LENGTH (A) = 36"

PART NO: 003-177 O.E. NO: 63M-45511-00-00



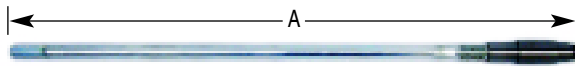
LENGTH (A) = 32 3/4"

PART NO: 003-171 O.E. NO: 61L-45511-00-00



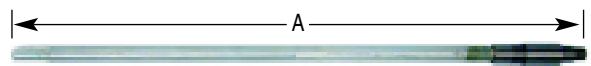
LENGTH (A) = 30" GROOVE TO END (B) = 3 7/8"

PART NO: 003-178 O.E. NO: 66V-45511-00-00



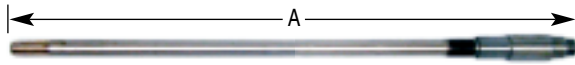
LENGTH (A) = 28 3/4"

PART NO: 003-172 O.E. NO: 62E-45511-00-00



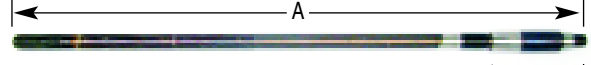
LENGTH (A) = 36 1/4"

PART NO: 003-179 O.E. NO: 65U-45511-00-00



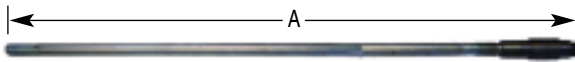
LENGTH (A) = 33 3/4"

PART NO: 003-174 O.E. NO: 6R8-45511-00-00



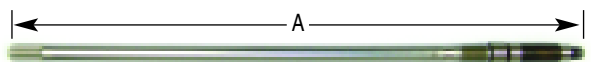
LENGTH (A) = 35 3/4" GROOVE TO END (B) = 3 1/4"

PART NO: 003-180 O.E. NO: 66E-45511-00-00



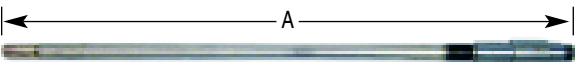
LENGTH (A) = 34"

PART NO: 003-175 O.E. NO: 65R-45511-00-00



LENGTH (A) = 28 1/8"

PART NO: 003-181 O.E. NO: 68Y-45511-00-00



LENGTH (A) = 27"

PART NO: 003-176 O.E. NO: 64Y-45511-00-00

Drive Shafts

| PART NO. | O.E. NO. | YEAR | CC | MODEL | |
|-----------------|------------|------------------|-----------|----------------|-----|
| KAWASAKI | | | | | |
| 003-160 | 39159-3703 | 1989-1992 | 650 | JET MATE | |
| | 39159-3712 | 1987-1993 | 650 | SX | |
| 003-161 | 39159-3714 | 1992-1995 | 750 | SX | |
| | | 1995 | 750 | SXI | |
| 003-161-01 | 39159-3717 | 1994-1997 | 750 | SS | |
| | | 1994-1995 | 750 | ST | |
| | | 1995-1997 | 750 | STS | |
| | | 1998 | 750 | STX | |
| | | 1993-1997 | 750 | SUPER SPORT XI | |
| 003-161-02 | 39159-3732 | 1998-1999 | 750 | Xi-SPOTR | |
| | | 2001-2002 | 900 | STS | |
| | | 39159-3725 | 1999-2006 | 900 | STX |
| | | 1997-1999 | 1100 | STX | |
| | | 2000-2003 | 1100 | STX DI | |
| 003-161-04 | 39159-3724 | 1996-2003 | 1100 | ZXI | |
| | | 39159-3740 | | | |
| 003-161-03 | 39159-3730 | 1999-2005 | 1200 | Ultra 150 | |
| POLARIS | | | | | |
| 003-155 | 6230066 | 1992-1995 | 650 | SL | |
| | | 1995 | 650 | SL STD | |
| | | 1993-1995 | 750 | SL | |
| | | 1994-1995 | 750 | SLT | |
| 003-155-02 | 6230103 | 1997 | 700 | SLT | |
| | | 1998-2000 | 700 | SLH | |
| | | 1998-1999 | 700 | SLTH | |
| | | 2000 | 700 | VIRAGE 3-PASS | |
| | | 1996-1997 | 780 | SLT | |
| | | 1996 | 780 | SLX | |
| | | 1996-1997 | 900 | SL | |
| | | 1997 | 1050 | SL | |
| | | 1996-1999 | 1050 | SLTX | |
| | | 1999 | 1050 | SLX | |
| | | 1998 | 1050 | SLXH | |
| | | 2000 | 1165 | SLX 2-PASS | |
| 2000 | 1165 | VIRAGE TX 3-PASS | | | |
| 003-155-03 | 6230216 | 2001-2004 | 1165 | GENESIS | |

Drive System

2011
Watercraft Parts & Accessories



New York • 1-800-222-3375
631-244-8060 • fax 631-244-0556
61 Floyd Run, Bohemia, NY 11716

Puerto Rico
787-832-2499 • fax 787-832-2939
234 Balboa Street, Mayaguez, Puerto Rico 00681-2605

e-mail: info@wsmparts.com • www.wsmparts.com



Drive Shafts

| PART NO. | O.E. NO. | YEAR | CC | MODEL |
|----------------|-------------|-----------|-----|-------------|
| SEA-DOO | | | | |
| 003-150 | 272-000-065 | 1990-1991 | 580 | GT |
| | | 1992-1994 | 580 | GTS |
| | 272-000-020 | 1992-1994 | 580 | GTX |
| | | 1989-1994 | 580 | SP |
| | | 1993-1994 | 580 | SPI |
| | | 1993-1994 | 580 | SPX |
| | | 1991-1994 | 580 | XP |
| | | 1994 | 650 | XPI |
| 003-153 | 272-000-055 | 1995 | 580 | GTS |
| | | 1995 | 580 | SP |
| | | 1995 | 580 | SPI |
| | | 1995 | 650 | GTX |
| | | 1995 | 650 | SPX |
| 003-154 | 272-000-073 | 1996 | 580 | GTS |
| | | 1996 | 580 | SP |
| | | 1996 | 580 | SPI |
| | | 1996-1997 | 720 | GTI |
| | | 1997-2000 | 720 | GTS |
| | | 1997 | 720 | SP |
| | | 1996-1997 | 720 | SPX |
| 003-163 | 272-000-009 | 1995-1997 | 720 | HX |
| 003-152 | 272-000-096 | 1997-2001 | 720 | GS |
| | | 2001-2005 | 720 | GTI |
| | | 2002-2004 | 720 | GTI LE |
| | | 2001 | 720 | GTS |
| | | 1997 | 720 | SP |
| | | 1997 | 720 | SPX |
| | | 1997 | 800 | GSI |
| | | 1996-1997 | 800 | GSX |
| | | 1999-2000 | 800 | GSX RFI |
| | | 2003-2005 | 800 | GTI LE RFI |
| | | 2004-2005 | 800 | GTI RFI |
| | | 2005 | 800 | GTI RFI STD |
| 003-164 | 272-000-127 | 1997 | 720 | GTI |
| | | 1999-2000 | 720 | GTI |
| | | 1997 | 720 | GTS |
| | | 1997 | 800 | GTX |
| | | 1998-2002 | 800 | GTX RFI |
| 003-166 | 272-000-077 | 1996 | 800 | GTX |
| 003-151 | 272-000-062 | 1995 | 800 | XP |
| 003-169 | 272-000-150 | 2005 | 800 | 3D RFI |
| | | 2000-2000 | 951 | XP |
| | | 2003-2004 | 951 | XP DI |
| | | 1999 | 951 | XP LTD |

Drive System

2011 Watercraft Parts & Accessories



Drive Shafts

| PART NO. | O.E. NO. | YEAR | CC | MODEL |
|--------------------------|------------------------------------|-----------|------|---------------|
| SEA-DOO continued | | | | |
| 003-159 | 272-000-151 | 1998-1999 | 951 | GSX |
| | | 2000-2002 | 951 | RX |
| | | 2000-2003 | 951 | RX DI |
| 003-168 | 272-000-160 | 2000-2002 | 951 | GTX |
| | | 2000-2003 | 951 | GTX DI |
| | | 1998 | 951 | GTX LIMITED |
| | | 1999 | 951 | GTX LTD |
| | | 2000-2001 | 951 | LRV |
| 003-156 | 272-000-186 271-001-449 | 2002-2004 | 1503 | ALL GTX 4-TEC |
| | | | | |
| 003-157 | 271-001-534 | 2006-2008 | 1503 | ALL GTI |
| | | 2006-2008 | 1503 | ALL GTX |
| | | 2008 | 1503 | WAKE 155 |
| | | 2008 | 1503 | WAKE 215 |
| 003-158 | 271-001-432 271-001-601 | 2004-2007 | 1503 | RXP |
| | | 2008 | 1503 | RXP 215 |
| | | 2008 | 1503 | RXP X 255 |
| 003-158-01 | 271-001-550 | 2008 | 1503 | GTX 215 |
| | | 2006 | 1503 | GTX 4-TEC LTD |
| | | 2008 | 1503 | GTX LTD 215 |
| | | 2007 | 1503 | GTX LTD BVIC |
| | | 2007 | 1503 | GTX WAKE BVIC |
| | | 2006 | 1503 | RXT |
| TIGERSHARK | | | | |
| 003-192 | 0673-041 | 1993 | 640 | DAYTONA |
| | | 1993 | 640 | TIGERSHARK |
| 003-191 | 0673-363 | 1994-1995 | 640 | BARRACUDA |
| | | 1994-1995 | 640 | DAYTONA |
| | | 1994-1995 | 640 | MONTE CARLO |
| | | 1994-1995 | 640 | MONTEGO DLX |
| 003-190 | 0675-173 | 1996 | 650 | Monte Carlo |
| | | 1996 | 650 | Montego |
| | | 1996 | 770 | Daytona |
| YAMAHA | | | | |
| 003-171 | 61L-45511-00-00 | 1991-1995 | 650 | VXR |
| 003-170 | 6R7-45511-00-00 6R7-45511-01-00 | 1990-1993 | 650 | Super Jet |
| | | 1995 | 700 | Super Jet |
| | | 1996-2007 | 700 | Super Jet |
| 003-172 | 62E-4551- 00-00 | 1993-1996 | 700 | Wave Blaster |

Drive System

2011
Watercraft Parts & Accessories



New York • 1-800-222-3375
631-244-8060 • fax 631-244-0556
61 Floyd Run, Bohemia, NY 11716

Puerto Rico
787-832-2499 • fax 787-832-2939
234 Balboa Street, Mayaguez, Puerto Rico 00681-2605

e-mail: info@wsmparts.com • www.wsmparts.com



Drive Shafts

| PART NO. | O.E. NO. | YEAR | CC | MODEL |
|-------------------------|------------------------------------|-----------|------|--------------|
| YAMAHA continued | | | | |
| 003-174 | 6R8-45511-00-00 | 1990-1996 | 650 | Wave Runner |
| | | 1994-1997 | 700 | Wave Raider |
| | | 1994-1997 | 700 | Wave Runner |
| | | 1996 | 700 | Wave Venture |
| | | 1996 | 760 | Wave Raider |
| 003-175 | 65R-45511-00-00 | 1998 | 700 | Wave Venture |
| | | 1999-2003 | 700 | XL |
| | | 1997 | 760 | Wave Venture |
| | | 1998-1999 | 760 | XL |
| 003-176 | 64Y-45511-00-00 | 1996-1997 | 760 | Wave Blaster |
| 003-180 | 66E-45511-00-00 | 1998 | 800 | GP |
| 003-181 | 68Y-45511-00-00 68Y-45511-01-00 | 2002-2005 | 800 | GP |
| | | 2004 | 800 | XA |
| | | 2002-2003 | 800 | XLT |
| | | 2002-2004 | 1000 | FX 140 |
| | | 2005-2008 | 1100 | FX H.O |
| | | 2002 | 1200 | GP |
| | | 2003-2004 | 1200 | SUV |
| | | 2002 | 1200 | SV |
| | | 2001 | 1200 | XL |
| 2002-2005 | 1200 | XLT | | |
| 003-178 | 66V-45511-00-00 66V-45511-01-00 | 2001 | 800 | GP |
| | | 2000-2001 | 800 | XL |
| | | 2000-2001 | 1200 | GP |
| | | 1999-2001 | 1200 | SUV |
| | | 1999-2000 | 1200 | XL |
| | | 2003-2008 | 1300 | GP |
| 003-177 | 63M-45511-00-00 | 1995-1996 | 1100 | Wave Raider |
| | | 1996-1997 | 1100 | Wave Venture |
| 003-179 | 65U-45511-00-00 | 1997-1999 | 1200 | GP |
| | | 1998 | 1200 | XL |

Drive System

Watercraft Parts & Accessories

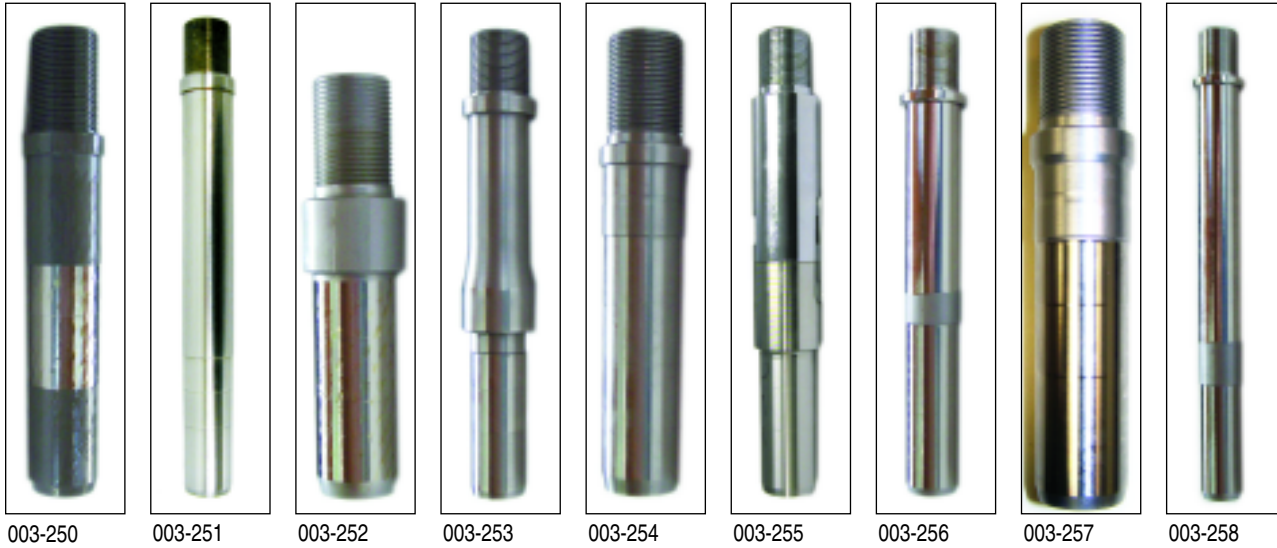
2011



Sea-Doo Drive Shaft Bumpers

| O.L.E. NO. | PART NO. |
|----------------------|---------------|
| 292-000-019 | 003-350 |
| Fits All 580/650/720 | sold in pairs |

Coupler Shafts



Yamaha Coupler Shafts

| MODEL | YEAR | LENGTH | O.E.M. NO. | PART NO. |
|------------------|-----------|--------|-----------------|----------|
| 650 SJ | 1990-93 | 160mm | 6R7-51323-01-00 | 003-250 |
| 650 W/RUNNER III | 1990-93 | 282mm | 6R8-51323-01-00 | 003-258 |
| 650 W/RUNNER III | 1995-96 | 282mm | 6R8-51323-03-00 | 003-258 |
| 650 VXR | 1991-93 | 144mm | 61L-51323-01-00 | 003-254 |
| 700 SJ | 1995-2008 | 160mm | 6R7-51323-02-00 | 003-250 |
| 700 W/RAIDER | 1994-96 | 282mm | 6R8-51323-03-00 | 003-258 |
| 700 W/RAIDER | 1995-97 | 282mm | 6R8-51323-10-00 | 003-258 |
| 700 W/RUNNER III | 1994-1995 | 282mm | 6R8-51323-02-00 | 003-258 |
| 700 W/RUNNER III | 1997 | 282mm | 6R8-51323-10-00 | 003-258 |
| 700 XL | 1999-2004 | 240mm | 63N-51323-10-00 | 003-251 |
| 700 W/VENTURE | 1995,98 | 240mm | 63N-51323-10-00 | 003-251 |
| 760 GP | 1999-2000 | 127mm | 65V-51323-00 | 003-257 |
| 760 W/BLASTER | 1996-97 | 215mm | 64Y-51323-00-00 | 003-256 |
| 760 W/RAIDER | 1996 | 282mm | 6R8-51323-10-00 | 003-258 |
| 760 W/RUNNER | 1997-1998 | 127mm | 65V-51323-00 | 003-257 |
| 760 W/VENTURE | 1997 | 240mm | 63N-51323-10-00 | 003-251 |
| 760 XL | 1998-99 | 240mm | 63N-51323-10-00 | 003-251 |
| 800 GP | 1998 | 122mm | 63M-51323-00-00 | 003-252 |
| 800 GP | 2001 | 205mm | 66V-51323-01-00 | 003-253 |
| 800 GP | 2002-2005 | 240mm | 68N-51323-00-00 | 003-255 |
| 800 XL | 2000-2001 | 205mm | 66V-51323-01-00 | 003-253 |
| 800 XLT | 2002-04 | 205mm | 68N-51323-00-00 | 003-255 |
| 1100 W/RAIDER | 1995-96 | 122mm | 63M-51323-00-00 | 003-252 |
| 1100 W/VENTURE | 1996-97 | 122mm | 63M-51323-00-00 | 003-252 |
| 1200 GP | 1997-99 | 122mm | 63M-51323-00-00 | 003-252 |
| 1200 GP | 2000-2001 | 205mm | 66V-51323-01-00 | 003-253 |
| 1200 GP | 2002 | 205mm | 68N-51323-00-00 | 003-255 |
| 1200 SUV | 2003 | 205mm | 66V-51323-01-00 | 003-253 |
| 1200 SV | 2002-04 | 205mm | 68N-51323-00-00 | 003-255 |
| 1200 XA | 2004 | | 68N-51323-00-00 | 003-255 |
| 1200 XL | 98 | 122mm | 63M-51323-00-00 | 003-252 |
| 1200 XL | 2000 | 205mm | 66V-51323-01-00 | 003-253 |
| 1200 XL | 2001 | 205mm | 68N-51323-00-00 | 003-255 |
| 1200 XLT | 02-05 | 205mm | 68N-51323-00-00 | 003-255 |
| 1300 GPR | 2003-08 | 205mm | 68N-51323-00-00 | 003-255 |

Drive System

2014
Watercraft Parts & Accessories



New York • 1-800-222-3375
631-244-8060 • fax 631-244-0556
61 Floyd Run, Bohemia, NY 11716

Puerto Rico
787-832-2499 • fax 787-832-2939
234 Balboa Street, Mayaguez, Puerto Rico 00681-2605

e-mail: info@wsmparts.com • www.wsmparts.com



Couplers

Kawasaki Couplers



| MODEL | YEAR / O.E. NO. | PART NO. | OUTSIDE DIAM. | THREAD SIZE | REQ'D |
|-----------------|--------------------|----------|---------------|-------------|-------|
| KAWASAKI | | | | | |
| 440 SX | 77-92 / 42034-3706 | 003-211 | | | 2 |
| 550 SX | 82-89 / 42034-3706 | 003-211 | | | 2 |
| 550 SX | 90-95 | 003-210 | 85mm | 18mm | 1 |
| 650 | All | 003-210 | 85mm | 18mm | 2 |
| 750 | 92-93 | 003-210 | 85mm | 18mm | 2 |
| 750 Xi | 94 / 42034-3706 | 003-210 | 85mm | 18mm | 1 |
| 750 / 800 | 95-Up/42034-3707 | 003-212 | 85mm | 20mm | 2 |
| 900 | 42034-3708 | 003-213 | 85mm | 24mm | 2 |
| 1100 | 42034-3709 | 003-214 | 100mm | 24mm | 2 |
| Ultra 150 | 42034-3711 | 003-225 | | | |



Couplers

| PART NO. | O.E. NO. | |
|----------------|-------------|--|
| SEA-DOO | | |
| 003-239 | 272-000-046 | Fits XP 97, HX 95-97 |
| 003-240 | 272-000-158 | Fits XP 00-02, XP Di 02-03, XP LTD 99, 3D 05-06 |

| PART NO. | O.E. NO. | THREAD | | |
|---------------|-----------------|---------|------|------------------------------|
| | | FINGERS | SIZE | CONFIGURATION |
| YAMAHA | | | | |
| 003-215 | 6K8-45813-10-9M | 3 | 20mm | 500 c.c. |
| 003-217 | 6M6-45813-00-9M | 3 | 20mm | 650c.c. |
| 003-219 | 6R7-45813-11-CA | 3 | 24mm | Coupler Shaft |
| 003-220 | 6M6-45813-32-8P | 3 | 27mm | Crank Shaft |
| 003-221 | 63M-45813-01-9M | 5 | 27mm | Curved Fingers (Old Style) |
| 003-222 | 64T-45813-01-8P | 5 | 24mm | Curved Fingers (Old Style) |
| 003-223 | 66E-45813-10-94 | 5 | 27mm | Straight Fingers (New Style) |
| 003-224 | 68N-45593-00-94 | 5 | 24mm | Straight Fingers (New Style) |



003-202

Rubber Dampers

| MODEL | YEAR | O.E.M. NO. | PART NO. |
|-----------------------|-----------------|--------------|----------|
| KAWASAKI | | | |
| 650/750/900 | | | 003-201 |
| 1100 | | | 003-208 |
| Ultra 150 | | 92160-3711 | 003-209 |
| SEA-DOO | | | |
| HX 95-99 | | 293-830-026 | 003-202 |
| XP 00-02, XP Di 03-04 | | 293-830-067 | 003-203 |
| YAMAHA | | | |
| 500 | All | 6K8-4581J-00 | 003-205 |
| 3 Finger Coupler | All | 6M6-4581J-00 | 003-206 |
| 5 Finger Coupler | Straight Finger | 66E-4581J-00 | 003-204 |
| 5 Finger Coupler | Curved Finger | 663-4581J-00 | 003-207 |

Drive System

Watercraft Parts & Accessories

2011

Bearing Housings



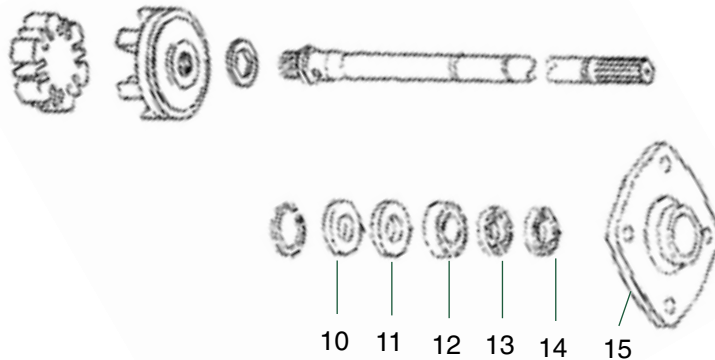
Kawasaki Bearing Housing

| O.E. NO. | PART NO. |
|---|------------|
| 13280-3730 | 003-405 |
| Fits: 650 All, 750 All, 900 All, 1100 All | |
| Complete Assembly, fits same as above | 003-405-01 |

Kawasaki Bearing Housing Repair Kits

KAWASAKI KIT NO. 003-611

*Kit includes bearings,
o-rings, and oil seals only.*

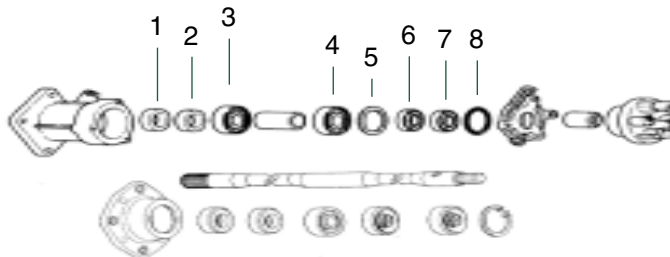


| APPLICATION | DESCRIPTION | O.E. NO. | PART NO. | REQ. | REF. NO. |
|----------------|-------------|------------|----------|------|----------|
| All except 550 | Oil-Seal | 92049-3707 | 009-755 | 2 | 10, 11 |
| | Bearing | 92045-3705 | 010-205 | 1 | 12 |
| | Oil seal | 92050-502 | 009-756 | 1 | 13 |
| | Oil seal | 92050-503 | 009-757 | 1 | 14 |
| | *Housing | 13280-3730 | 003-405 | 1 | 15 |

**Not included in kit*

KAWASAKI KIT NO. 003-610

*Kit includes bearings,
o-rings, and oil seals only.*



| APPLICATION | DESCRIPTION | O.E. NO. | PART NO. | REQ. | REF. NO. |
|-------------|-------------|-----------|----------|------|------------|
| 550 All | Oil Seal | 92050-501 | 009-764 | 4 | 1, 2, 6, 7 |
| | Bearing | 601B6305 | 010-205 | 2 | 3, 4 |
| | O-Ring | 92055-501 | 008-573 | 1 | 8 |

Drive System

2014 Watercraft Parts & Accessories



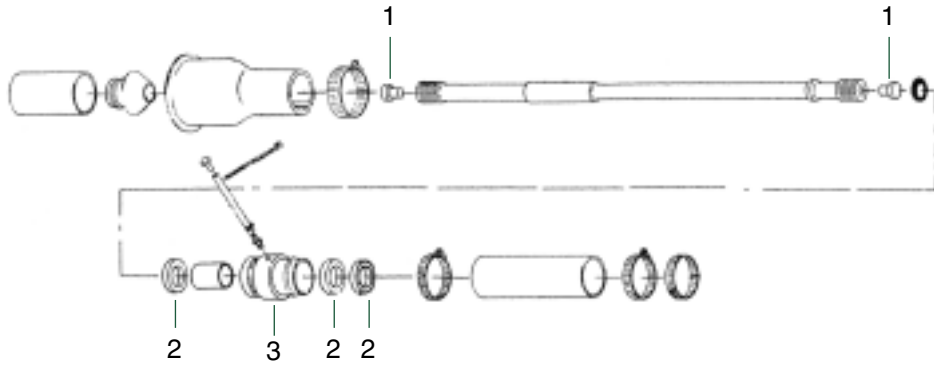
New York • 1-800-222-3375
631-244-8060 • fax 631-244-0556
61 Floyd Run, Bohemia, NY 11716

Puerto Rico
787-832-2499 • fax 787-832-2939
234 Balboa Street, Mayaguez, Puerto Rico 00681-2605

e-mail: info@wsmparts.com • www.wsmparts.com



Polaris Bearing Housing Repair Kits



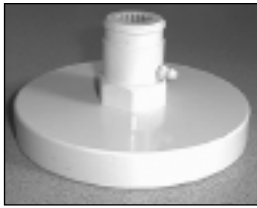
| APPLICATION | DESCRIPTION | O.E. NO. | PART NO. | REQ. | REF. NO. |
|------------------------------|---|----------|------------|------|----------|
| POLARIS | | | | | |
| All Models except Genesis | Oil Seals | 3610040 | 009-732 | 3 | 2 |
| | Bumper (Sold in Pairs) | 5410653 | 003-350 | 2 | 1 |
| | Seal Carrier Complete w/Seals Installed | 1341115 | 003-115-01 | 1 | 2&3 |
| Genesis 02-04 | Oil Seals | 3610040 | 009-732 | 3 | 2 |
| | Bumper (Sold in Pairs) | 5410653 | 003-350 | 2 | 1 |
| | Seal Carrier Complete w/Seals Installed | 1341417 | 003-115-01 | 1 | 1 |

No Kits Available - Order Individual Parts

Drive System

2011 Watercraft Parts & Accessories

Drive Parts



003-125



003-129

Sea-Doo PTO Ends

Light Weight PTO



003-125-02

| APPLICATION. | O.E. NO. | PART NO. |
|-----------------------------------|-------------|------------|
| 580 All Stock Design | 290-958-872 | 003-125 |
| 650 / 720 Stock Design | 290-958-011 | 003-126 |
| Light Weight 580/650/720 | N/A | 003-125-02 |
| 800 1995 (fine thread) | 290-958-096 | 003-128 |
| 800 96 & up (course thread) | 290-958-056 | 003-127 |
| Light Weight Flywheel 800 96 & up | N/A | 003-127-01 |
| 951 All | 290-958-122 | 003-129 |

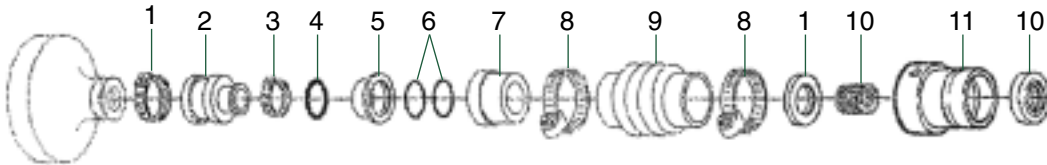


003-120

Sea-Doo Seal Carrier Repair Kit

| MODEL | PART NO. |
|---------------------|----------|
| HX 95-97 / XP 97-Up | 003-120 |

Sea-Doo Drive Parts



| PART NO. | DESCRIPTION | O.E. NO. | YEAR | CC | MODEL | REFERENCE NO. |
|---------------|--------------------------------------|-------------|-----------|-----|---------------------|---------------|
| 003-100 | Sea-Doo PTO Rubber Boot | 272-000-001 | 1989-2005 | ALL | 580/650/720/800/951 | 2 |
| 003-100-01 | Oetiker Clamp for 003-100 Large Side | 293-650-021 | | | Sold Each | 1 |
| 003-100-01-10 | Oetiker Clamp for 003-100 Large Side | | | | 10 Pack | 1 |
| 003-121 | Stainless Standard Clamp | | | | Sold Each | 1 |
| 003-100-02 | Oetiker Clamp for 003-100 Small Side | 293-650-067 | | | Sold Each | 3 |
| 003-100-02-10 | Oetiker Clamp for 003-100 Small Side | | | | 10 Pack | 3 |
| | Stainless Standard Clamp | | | | Sold Each | 1 |
| 008-585 | O-Ring | 293-300-036 | 1996 | 580 | GTS / SP / SPI | 4 |
| | | | 1997 | 720 | GS / GSI / GTS / SP | |
| | | | 1996-1997 | 720 | GSX / GTI / SPX | |
| | | | 1995-1997 | 720 | HX | |
| | | | 1996-1997 | 800 | GTX | |
| | | | 1996 | 800 | XP | |

Drive System

2014 Watercraft Parts & Accessories



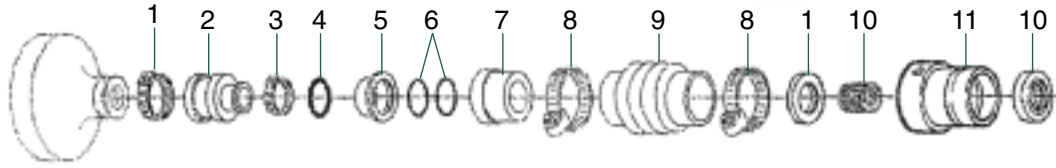
New York • 1-800-222-3375
631-244-8060 • fax 631-244-0556
61 Floyd Run, Bohemia, NY 11716

Puerto Rico
787-832-2499 • fax 787-832-2939
234 Balboa Street, Mayaguez, Puerto Rico 00681-2605

e-mail: info@wsmparts.com • www.wsmparts.com



Drive Parts



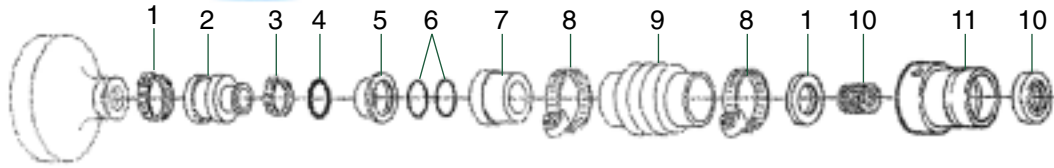
| PART NO. | DESCRIPTION | O.E. NO. | YEAR | CC | MODEL | REFERENCE NO. |
|------------|---------------------------------------|-------------|-----------|------|----------------------|---------------|
| 003-118 | Sea-Doo Seal Carrier Ring | 272-000-064 | 1996 | 580 | GTS / SP / SPI | 5 |
| | | | 1997-2001 | 720 | GS | |
| | | | 1997 | 720 | GSI | |
| | | | 1996-2005 | 720 | GTI | |
| | | | 2002-2004 | 720 | GTI LE | |
| | | | 1999-2001 | 720 | GTS | |
| | | | 1995-1997 | 720 | HX | |
| | | | 1997 | 720 | SP | |
| | | | 1996-1997 | 720 | SPX | |
| | | | 2005 | 800 | 3D RFI | |
| | | | 1996-1997 | 800 | GSX | |
| | | | 1999-2000 | 800 | GSX RFI | |
| | | | 2003-2005 | 800 | GTI LE RFI | |
| | | | 2004 | 800 | GTI RFI | |
| | | | 1996-1997 | 800 | GTX | |
| | | | 1998-2002 | 800 | GTX RFI | |
| | | | 1998-1999 | 800 | SPX | |
| | | | 1996-1997 | 800 | XP | |
| | | | 2006-2007 | 951 | 3D DI | |
| | | | 1999 | 951 | GSX LTD. | |
| | | | 2001-2002 | 951 | GTX | |
| | | | 2000-2003 | 951 | GTX DI | |
| | | | 1998-1999 | 951 | GTX LTD. | |
| 2000-2001 | 951 | LRV | | | | |
| 2002 | 951 | LRV DI | | | | |
| 2000-2002 | 951 | RX | | | | |
| 2000-2003 | 951 | RX DI | | | | |
| 2000-2002 | 951 | XP | | | | |
| 2003-2004 | 951 | XP DI | | | | |
| 1998-1999 | 951 | XP LTD. | | | | |
| 008-638 | Inner O-Ring for Seal Carrier 003-118 | 293-300-032 | - | - | 2 Req'd | 6 |
| 003-118-01 | S/D Support Ring | 272-000-176 | 2006-2008 | 1503 | GTI All Models | 5 |
| | | | 2008 | 1503 | GTX 155 All Models | |
| | | | 2002-2006 | 1503 | GTX 4-TEC All Models | |
| | | | 2007 | 1503 | GTX Std. & Wake | |
| | | | 2008 | 1503 | RXP 155 | |
| | | | 2007 | 1503 | RXP NA | |
| | | | 2005 | 1503 | RXT | |
| 2008 | 1503 | WAKE 215 | | | | |
| 008-638-01 | O-Ring for 003-118-01 | 293-300-044 | | | 2 Req'd | 6 |

Drive System

2011 Watercraft Parts & Accessories



Drive Parts



| PART NO. | DESCRIPTION | O.E. NO. | YEAR | CC | MODEL | REFERENCE NO. |
|------------|-----------------------|----------------------------|-----------|------|----------------------|---------------|
| 003-118-02 | S/D SUPPORT RING | 271-001-434 | 2008 | 1503 | GTX 215 All Models | 5 |
| | | | 2006 | 1503 | GTX 4-TEC LTD. | |
| | | | 2007 | 1503 | GTX LTD. & Wake BVIC | |
| | | | 2005-2006 | 1503 | RXP | |
| | | | 2008 | 1503 | RXP 215 / 255 | |
| | | | 2007 | 1503 | RXP BVIC | |
| | | | 2004 | 1503 | RXP Super Charged | |
| | | | 2006 | 1503 | RXT | |
| | | | 2008 | 1503 | RXT 215 / 255 | |
| | | | 2007 | 1503 | RXT BVIC | |
| 008-638-02 | O-Ring for 003-118-02 | 293-300-107 | | | 2 Req'd | 6 |
| 003-110 | SEA-DOO CARBONE RING | 272-000-042 272-000-770 | 1996 | 580 | GTS / SP / SPI | 7 |
| | | | 1997-2001 | 720 | GS | |
| | | | 1997 | 720 | GSI | |
| | | | 1996-2005 | 720 | GTI | |
| | | | 2002-2004 | 720 | GTI LE | |
| | | | 1996-2001 | 720 | GTS | |
| | | | 1995-1997 | 720 | HX | |
| | | | 1997 | 720 | SP | |
| | | | 1996-1997 | 720 | SPX | |
| | | | 2005 | 800 | 3D RFI | |
| | | | 1996-1998 | 800 | GSX | |
| | | | 2005 | 800 | GTI LE RFI | |
| | | | 2002-2004 | 800 | GTI RFI | |
| | | | 1996-1997 | 800 | GTX | |
| | | | 1998-2001 | 800 | GTX RFI | |
| | | | 1998-1999 | 800 | SPX | |
| | | | 1996 | 800 | XP | |
| | | | 2006-2007 | 951 | 3D DI | |
| | | | 1999 | 951 | GSX LTD. | |
| | | | 2000-2002 | 951 | GTX | |
| | | | 2000-2003 | 951 | GTX DI | |
| | | | 1998-1999 | 951 | GTX LTD. | |
| | | | 2000 | 951 | LRV | |
| 2002 | 951 | LRV DI | | | | |
| 2000-2003 | 951 | RX / RX DI | | | | |
| 2000-2002 | 951 | XP | | | | |
| 2003-2004 | 951 | XP DI | | | | |
| 1999 | 951 | XP LTD. | | | | |
| 003-110-01 | SEA-DOO CARBONE RING | 272-000-177 | 2006-2008 | 1503 | GTI All Models | 7 |
| | | | 2008 | 1503 | GTX 155 | |
| | | | 2002-2005 | 1503 | GTX 4-Tec All Models | |
| | | | 2006 | 1503 | GTX STD., S.C., Wake | |
| | | | 2007 | 1503 | GTX STD., Wake | |
| | | | 2008 | 1503 | RXP 155 | |
| | | | 2007 | 1503 | RXP NA | |
| | | | 2005 | 1503 | RXT | |
| 2008 | 1503 | Wake 155, 215 | | | | |

Drive System

2011 Watercraft Parts & Accessories



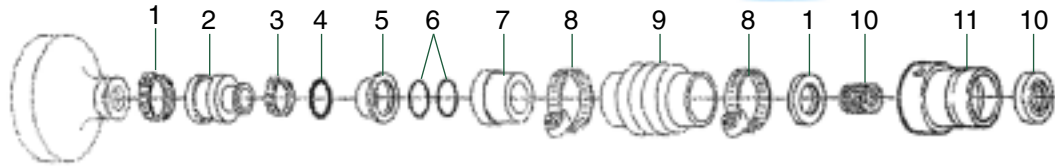
New York • 1-800-222-3375
631-244-8060 • fax 631-244-0556
61 Floyd Run, Bohemia, NY 11716

Puerto Rico
787-832-2499 • fax 787-832-2939
234 Balboa Street, Mayaguez, Puerto Rico 00681-2605

e-mail: info@wsmparts.com • www.wsmparts.com



Drive Parts



| PART NO. | DESCRIPTION | O.E. NO. | YEAR | CC | MODEL | REFERENCE NO. |
|-------------|--------------------------|-------------|-------------|------------------------|---------------------------|---------------|
| 003-110-02 | SEA-DOO CARBONE RING | 271-001-420 | 2008 | 1503 | GTX 215 | 7 |
| | | | 2009 | 1503 | GTX 215, 255 | |
| | | | 2006 | 1503 | GTX LTD. | |
| | | | 2007 | 1503 | GTX LTD. BVIC / Wake BVIC | |
| | | | 2005-2006 | 1503 | RXP | |
| | | | 2008-2009 | 1503 | RXP 215, 255 | |
| | | | 2007 | 1503 | RXP BVIC | |
| | | | 2004 | 1503 | RXP Super Charged | |
| | | | 2006 | 1503 | RXT | |
| | | | 2008-2009 | 1503 | RXT 215, 255 | |
| | | | 2007 | 1503 | RXT BVIC | |
| | | | 2009 | 1503 | Wake Pro 215 | |
| | | | 003-102 | SEA-DOO HOSE PROTECTOR | 271-000-204 | 1993-1995 |
| 271-000-560 | 1993 | 580 | | | | XP |
| 1994-1995 | 650 | XP | | | | |
| 1995 | 800 | XP | | | | |
| 003-102-01 | Clamp for 003-102 | 272-000-024 | | | 2 Req'd | 8 |
| 003-105 | Drive Shaft Boot Sea-Doo | 272-000-041 | 1996 | 580 | SP / SPI | 9 |
| | | | 272-000-184 | 1997-1999 | 720 | GS |
| | | | 1997 | 720 | GSI | |
| | | | 1996-2005 | 720 | GTI | |
| | | | 2002-2004 | 720 | GTI LE | |
| | | | 1996-1999 | 720 | GTS | |
| | | | 1995-1997 | 720 | HX | |
| | | | 1997 | 720 | SP | |
| | | | 1996-1997 | 720 | SPX | |
| | | | 2005 | 800 | 3D RFI | |
| | | | 1996-1998 | 800 | GSX | |
| | | | 1999 | 800 | GSX RFI | |
| | | | 2003-2005 | 800 | GTI RFI, LE | |
| | | | 1996-1997 | 800 | GTX | |
| | | | 1998-2002 | 800 | GTX RFI | |
| | | | 1998-1999 | 800 | SPX | |
| | | | 1996-1997 | 800 | XP | |
| | | | 2006-2007 | 951 | 3D DI | |
| | | | 1999 | 951 | GSX LTD. | |
| | | | 2002-2003 | 951 | GTX DI | |
| 1998-1999 | 951 | GTX LTD. | | | | |
| 2002 | 951 | LRV DI | | | | |
| 2002 | 951 | RX | | | | |
| 2003 | 951 | RX DI | | | | |
| 2002 | 951 | XP | | | | |
| 2003-2004 | 951 | XP DI | | | | |
| 1998 | 951 | XP LTD. | | | | |

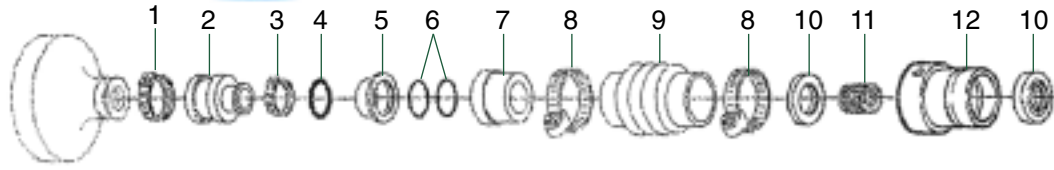
Drive System

2011 Watercraft Parts & Accessories



NOVUS

Drive Parts



| PART NO. | DESCRIPTION | O.E. NO. | YEAR | CC | MODEL | REFERENCE NO. |
|------------|--|-----------------|--|--|--|---------------|
| 003-102-01 | Clamp for 003-105 | 272-000-024 | | | 2 Req'd | 8 |
| 003-104-01 | Drive Shaft Boot Sea-Doo Extra Firm For Optimum Sealing, High Performance | 272-000-184 | Same as 003-105 | | PREMIUM QUALITY | 9 |
| 003-102-01 | Clamp for 003-104-01 | 272-000-024 | | | 2 Req'd | 8 |
| 003-104 | Sea-Doo Bellow | 272-000-183 | 2006-2009 2002-2005 2007 2005 2008-2009 | 1503 1503 1503 1503 1503 | GTI All Models GTX 4-TEC 155 RXP NA RXT WAKE 155 / 215 | 9 |
| 003-104-02 | Clamp for 003-104 | 293-650-077 | | | 2 Req'd | 8 |
| 003-101-01 | Sea Doo Drive shaft Bellows | 271-001-422 | 2006-2009 2004-2009 2006-2009 | 1503 1503 1503 | GTX 215 / 255 All Models RXP All Models RXT All Models | 9 |
| 003-101-02 | Clamp for 003-101-01 | 293-650-079 | | | 2 Req'd | 8 |
| 003-115 | Seal Carrier | 272-000-024 | 1990-1995 | 580 / 650 | All Models | 12 |
| 003-115-01 | Complete Seal Carrier Assembly Includes Bearing & Seals | | 1990-1995 | 580 / 650 | All Models | 10,11,12 |
| 003-116 | Seal Carrier | 272-000-012-400 | 1995-1997 1997 2005 1998 2003-2004 2006-2007 | 720 800 800 951 951 951 | HX XP 3D RFI XP LTD. XP DI 3D DI | 12 |
| 003-116-01 | Complete Seal Carrier Assembly Includes Bearing & Seals | | | | Fits: Same as 003-116 | 10,11,12 |
| 010-228 | Seal Carrier Bearing | 293-350-007 | | | Fits all Seal Carriers | 11 |
| 009-730-01 | Seal Carrier Oil Seal | 293-200-012 | | | Fits all Seal Carriers | 10 |
| 003-120 | Seal Carrier Repair Kit | - | 1995-1997 1997 1998-1999 2000-2002 2004 2005-2007 | 720 800 951 951 951 951 | HX XP XP LTD. XP XP DI 3D DI | |

Drive System

Watercraft Parts & Accessories



New York • 1-800-222-3375
631-244-8060 • fax 631-244-0556
61 Floyd Run, Bohemia, NY 11716

Puerto Rico
787-832-2499 • fax 787-832-2939
234 Balboa Street, Mayaguez, Puerto Rico 00681-2605

e-mail: info@wsmparts.com • www.wsmparts.com



Yamaha Bearing Housings

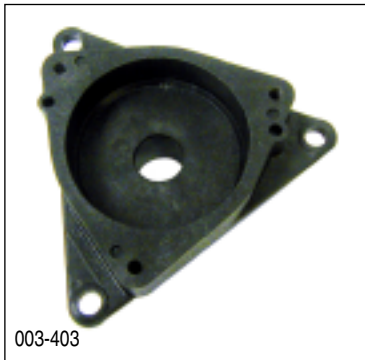
Drive System



003-400



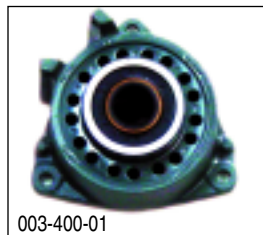
003-402



003-403

Yamaha Bearing Housing

| MODEL | YEAR | O.E.M. NO. | PART NO. |
|-------------------|-------|-----------------|----------|
| 650 SJ | 90-95 | 6R7-45331-00-9M | 003-402 |
| 650 VXR | 91-95 | | |
| 650 W. Runner III | 92-96 | | |
| 701 FX1 | 94-95 | 61X-45332-00-9M | 003-400 |
| 701 Raider | 94 | | |
| 701 VXR | 93-94 | | |
| 701 W. Blaster | 93-94 | | |
| 701 W. Runner III | 94 | | |
| 701 Raider | 95-97 | | |
| 701 SJ | 95-01 | | |
| 701 W. Blaster | 95-96 | | |
| 701 W. Runner III | 95,97 | | |
| 701 W. Venture | 95-96 | | |
| 760 Raider | 96 | | |
| 760 W. Blaster | 96-97 | | |
| 760 W. Runner GP | 97-98 | | |
| 760 W. Venture | 97 | | |
| 800 GP | 01 | | |
| 800 XL | 00-01 | | |
| 1100 Raider | 95-96 | | |
| 1100 W. Venture | 96-97 | | |
| 1200 GP | 97,01 | | |
| 1200 XL | 99-01 | | |
| 701 W. Venture | 98 | | |
| 701 XL | 99-01 | | |
| 760 GP | 99-00 | | |
| 760 XL | 98-99 | | |
| 800 GP | 98-00 | | |
| 1200 GP | 98-99 | | |
| 1200 XL | 98 | | |
| XL 700 | 99-04 | 65A-G5331-00-00 | 003-403 |
| Wave Venture 700 | 98 | | |
| GP 760 | 00 | | |
| Wave Venture 760 | 97 | | |
| XL 760 | 98-99 | | |
| GP 800 | 00 | | |
| Wave Venture 1100 | 97 | | |
| GP 1200 | 97-99 | | |
| XL 1200 | 98 | | |



003-400-01

Yamaha Complete Bearing Housing Kits

Comes with bearing and seals installed

| PART NO. | |
|------------|---|
| 003-400-01 | Fits same applications as 003-400 above |
| 003-402-01 | Fits same applications as 003-402 above |

Yamaha Bearing Housing Repair Kits

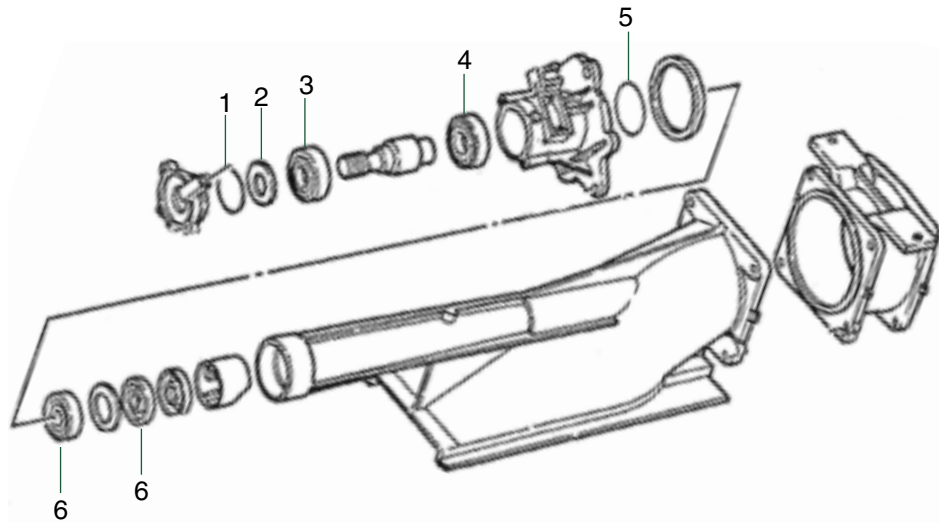
Drive System

2014 Watercraft Parts & Accessories

YAMAHA KIT NO. 003-625

Fits: All 500 All Years
WR III & LX 650 90-93

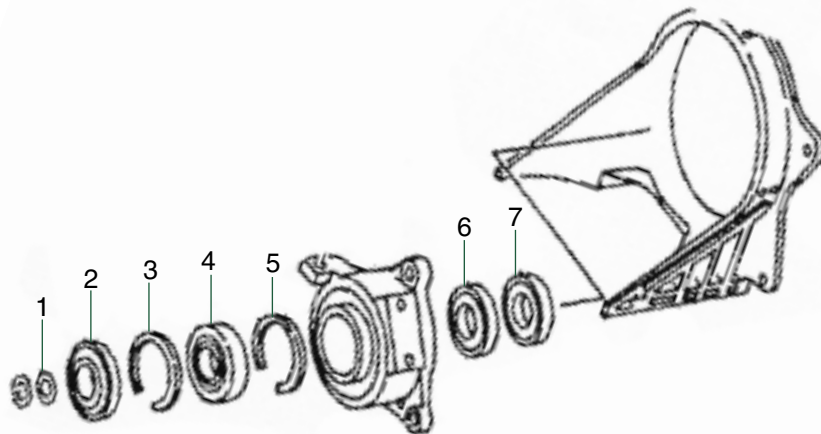
Order complete kit, or items
individually



| DESCRIPTION | O.E. NO. | REF. NO. | REQ. | PART NO. |
|-------------|----------------|----------|------|------------|
| O Ring | 93210-46M16-00 | 1 | 1 | 008-558 |
| Oil seal | 93101-25M50-00 | 2 | 1 | 009-701 |
| Bearing | 93306-205U1-00 | 3 | 1 | 010-240 |
| Bearing | 93306-30302-00 | 4 | 1 | 010-200-01 |
| O Ring | 93210-52454-00 | 5 | 1 | 008-557 |
| Oil Seal | 93101-17M13-00 | 6 | 2 | 009-706 |

YAMAHA KIT NO. 003-622

Repair Kit for 003-400-01
& 003-402-01



| DESCRIPTION | O.E. NO. | REF. NO. | REQ. | PART NO. |
|---------------------------------|----------------|----------|------|------------|
| O O Ring | 93210-17MA4-00 | 1 | 1 | 008-559 |
| Oil Seal | 93101-25M55-00 | 2 | 1 | 009-709 |
| Clip | 93430-47M04-00 | 3 | 1 | 003-095 |
| Bearing | 93306-205U6-00 | 4 | 1 | 010-242 |
| Clip | 93430-47M04-00 | 5 | 1 | 003-095 |
| Oil Seal | 93101-25M55-00 | 6 | 1 | 009-709 |
| Oil Seal | 93101-25M56-00 | 7 | 1 | 009-710 |
| *Bearing Housing | 6R7-4532-01-9M | | | 003-402 |
| *Bearing Housing with all above | | | | 003-402-01 |

*not in kit



New York • 1-800-222-3375
631-244-8060 • fax 631-244-0556
61 Floyd Run, Bohemia, NY 11716

Puerto Rico
787-832-2499 • fax 787-832-2939
234 Balboa Street, Mayaguez, Puerto Rico 00681-2605

e-mail: info@wsmparts.com • www.wsmparts.com



Drive Shaft Repair Kits

Drive System

YAMAHA KIT NO. 003-621

Fits: FX 1100 05,
FX 1100 Delux 05

Order complete kit, or items
individually



| DESCRIPTION | O.E. NO. | REF. NO. | REQ. | PART NO. |
|-------------|----------------|----------|------|----------|
| Clip | 93430-47MO4-00 | 1 | 1 | 003-095 |
| Oil Seal | 93101-25M55-00 | 2 | 1 | 009-709 |
| Bearing | 93306-205A3-00 | 3 | 1 | 010-240 |
| Oil Seal | 93101-25M55-00 | 4 | 1 | 009-709 |
| Oil Seal | 93101-25M56-00 | 5 | 1 | 009-710 |

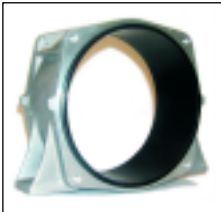
2011 Watercraft Parts & Accessories

Jet Pump Housing



Polaris Impeller Housing With Stainless Steel Lining

| MODEL | PART NO. |
|-------------------------------|----------|
| Fits: All with Pump Extension | 003-515 |



Yamaha Jet Pump Housing *with replaceable wear ring*

003-507

| PART NO. | DESCRIPTION | OE NO | YEAR | CC | MODEL |
|----------|---------------------|-----------------|-----------|------|--------------|
| 003-505 | Pump Housing Yamaha | 63M-51312-00-94 | 1998 | 700 | Wave Venture |
| | | 63M-51312-01-94 | 1999-2004 | 700 | XL |
| | | 63M-51312-02-94 | 1997 | 760 | Wave Venture |
| | | | 1995-1996 | 1100 | Wave Raider |
| | | | 1996-1997 | 1100 | Wave Venture |
| | | 1997-1999 | 1200 | GP | |



003-508

| | | | | | |
|------------|---------------------|-----------------|-----------|------|---------------------|
| 003-505-01 | Pump Housing Yamaha | 64Y-51312-00-94 | 1996-1997 | 760 | Wave Blaster |
| | | 64Y-51312-01-94 | | | |
| 003-506 | Pump Housing Yamaha | 6R8-51312-00-94 | 1990-1996 | 650 | Wave Runner III |
| | | 6R8-51312-01-94 | 1991 | 650 | Wave Runner LX |
| | | 6R8-51312-02-94 | 1994-1996 | 700 | Wave Raider |
| | | 6R8-51312-03-94 | 1994-1997 | 700 | Wave Runner III |
| | | | 1995-1996 | 700 | Wave Venture |
| | | | 1999-2000 | 760 | GP |
| | | | 1996-1997 | 760 | Wave Raider |
| | | | 1997-1998 | 760 | Wave Runner |
| | | 1998-2000 | 800 | GP | |
| 003-507 | Pump Housing Yamaha | 6R7-51312-00-94 | 1990-1993 | 650 | Super Jet |
| | | 6R7-51312-01-94 | 1991-1995 | 650 | VXR |
| | | 6R7-51312-02-94 | 1995-2009 | 700 | Super Jet |
| | | 6R7-51312-03-94 | 1993-1994 | 700 | VXR Pro |
| | | | 1993-1996 | 700 | Wave Blaster |
| 003-508 | Pump Housing Yamaha | 66V-51312-00-94 | 2001-2005 | 800 | GP |
| | | 66V-51312-01-94 | 2004 | 800 | Wave Runner III |
| | | 66V-51312-02-94 | 2002-2003 | 800 | XLT |
| | | 66V-51312-03-94 | 2002-2003 | 1000 | FX All Models |
| | | | 2004-2005 | 1100 | FX, H.O. All Models |
| | | | 2005-2009 | 1100 | VX All Models |
| | | | 2001-2002 | 1200 | GP |
| | | | 2003-2004 | 1200 | SUV |
| | | | 2002 | 1200 | SV |
| | | | 2001 | 1200 | XL |
| | | | 2002-2005 | 1200 | XLT |
| | 2003-2008 | 1300 | GP | | |
| | 2009 | 1812 | FX SHO | | |



Sea-Doo Neoprene Seal

| MODEL | O.E. No. | PART NO. |
|---|-------------|----------|
| SP 94-97, SPI 94-96, SPX 94-97, GTI 96-97, GTS 94-97, GTX 94-95, XP 94-96, XPI 94 | 293-200-024 | 007-150 |



Kawasaki Jet Pump Shim

| MODEL | O.E. No. | PART NO. |
|-------------------------------------|------------|------------|
| Ultra 130 01-04, Ultra 150 99-05 | 92180-3705 | 003-510-01 |

Drive System

2011 Watercraft Parts & Accessories



New York • 1-800-222-3375
631-244-8060 • fax 631-244-0556
61 Floyd Run, Bohemia, NY 11716

Puerto Rico
787-832-2499 • fax 787-832-2939
234 Balboa Street, Mayaguez, Puerto Rico 00681-2605

e-mail: info@wsmparts.com • www.wsmparts.com



Jet Pump Parts

Drive System



Yamaha Replacement Wear Ring For WSM Housings

| MODEL | PART NO. |
|---------------------------|----------|
| Fits: 003-505 (large) | 003-520 |
| Fits: 003-506/507 (small) | 003-521 |
| Fits: 003-508 | 003-522 |



Sea-Doo O.E. Style Wear Rings

| MODEL | O.E.M. NO. | PART NO. |
|---|-------------|----------|
| 2 Stroke to 97 and GS 98-01, GSX RFI 00, GTI 00, GTS 00, GTX RFI 00-02, SPX 99 | 271-000-290 | 003-500 |
| GSX Ltd. 98-99, GTI All Models 01-05, GTS 01, GTX LTD 99, GTX 00-02, GTX DI 00-03, GTX 4Tec 02-03, LRV 00-01, LRV DI 02, RX 00-02, RX DI 00-03, XP Ltd. 99, XP 00-02, XP DI 03-04, 3D RFI 05, 3D 951 DI 06-07, | 271-000-653 | 003-503 |
| GTX 4Tec LTD. SCIC 05-06, GTX LTD / Wake BVIC 07, RXP S.C. 04, RXP 05-06, RXP BVIC 07, RXT 05-06, RXT BVIC 07 | 267-000-105 | 003-499 |
| GTI, SE 06-07, GTX 4Tec 05-07, GTX 4Tec W.B. 05-07, GTX 4Tec S.C. 04-06, GTX Ltd. 4Tec 04, RXP NA 07 | 267-000-104 | 003-502 |



Sea-Doo With Stainless Sleeve

| MODEL | O.E.M. NO. | PART NO. |
|----------------------------|-------------|----------|
| Same Applications as Above | 267-000-105 | 003-499S |
| Stock Wear Rings | 271-000-291 | 003-500S |
| | 267-000-104 | 003-502S |
| | 271-000-563 | 003-503S |

Watercraft Parts & Accessories

2011

Jet Pump Parts

Drive System



003-430



003-431

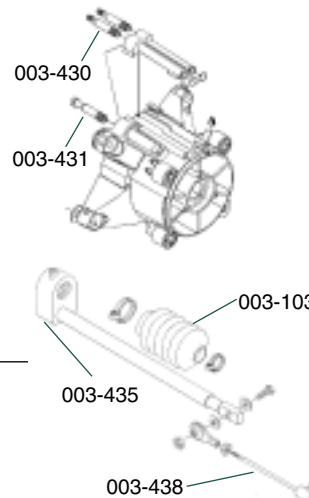


003-435



003-438

| DISCRIPTION | MODEL | YEAR | O.E. | PART NO. |
|---------------------|-------------------|-------------|-------------|----------|
| Bailer Fitting | All | 90-99 | 293-700-017 | 003-430 |
| Jet Pump Fitting | | | 293-700-019 | 003-431 |
| Sliding Block | RX | 01-02 | 278-001-698 | 003-435 |
| | RXP Super Charged | 04 | | |
| | RX Di | 01-03 | | |
| | XP | 02 | | |
| | XP Di | 03-04 | | |
| Trim Rod | XP | 00-02 | 271-001-134 | 003-438 |
| | XP Di | 03-04 | | |
| Trim Hose Protector | GS/GSi | 97 | 271-000-459 | 003-103 |
| | GSX | 96-98 | | |
| | GSX Ltd | 98-99 | | |
| | GSX RFI | 99-00 | | |
| | RX | 00-02 | | |
| | RX Di | 00-03 | | |
| | RX X | 01 | | |
| | RXP | 05 | | |
| | RXP SuperCharged | 04 | | |
| | SPX | 96-99 | | |
| | SP | 96-97 | | |
| | SPi | 96 | | |
| | XP | 95-97,00-02 | | |
| XP800 | 95 | | | |
| XP Di | 04-03 | | | |
| XP Ltd. | 98-99 | | | |



Sea-Doo Venturi Arm

Fits older style Sea-Doo's with VTS system. Allows you to repair Venturi rather than replace it.

PART NO.
003-420

Nose Cones

These nose cones increase bottom end punch while also increasing over all performance.



003-415



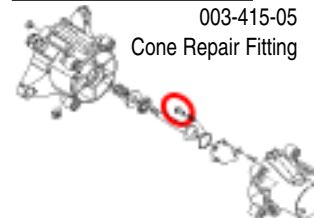
003-416

| MODEL | PART NO. |
|--|------------------------------|
| SEA-DOO | |
| GS 97-98, GSX Ltd 98, GSX 97, GTi 97-98, GTS 97-01, GTX 97, HX 97, SP 97, SPX 98-99, XP 97 | 003-415 Small |
| TBA | 003-415-01 Medium |
| 720 GTI 00-01 | 003-415-02 Large |
| GS 99, GSX Ltd 99, GSX RFI 99, GTI 99, GTS 99-01, GTX Ltd 99, GTX RFI 99, LRV Di 02-03, LRV 00-01, SPX 99, XP Ltd 99 | 003-415-05 Repair Fitting |
| YAMAHA | |
| | 003-416 |



003-415-05

Cone Repair Fitting



2011 Watercraft Parts & Accessories



New York • 1-800-222-3375
631-244-8060 • fax 631-244-0556
61 Floyd Run, Bohemia, NY 11716

Puerto Rico
787-832-2499 • fax 787-832-2939
234 Balboa Street, Mayaguez, Puerto Rico 00681-2605

e-mail: info@wsmparts.com • www.wsmparts.com

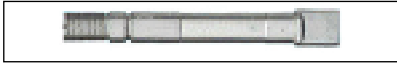


Impeller Pump Shafts

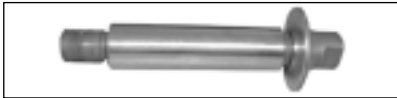
Drive System



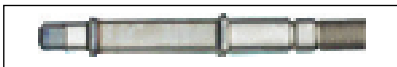
003-106
Length=5-1/2" Thread O.D.=9/16"



003-107



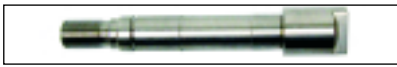
003-108
Length=5-3/4" Thread O.D.=11/16"



003-109



003-111
Length=5-3/4" Thread O.D.=11/16"
Uses Larger I.D. Thrust Washer
(010-228-03)



003-112



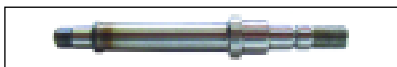
003-112-01



003-113



003-113-01



003-114
For Ultra 130/150



010-288-01

| MODEL | YEAR | O.E.M. NO. | PART NO. |
|-------|------|------------|----------|
|-------|------|------------|----------|

KAWASAKI

| | | | |
|------------------------------------|---------|------------|---------|
| 650/750 SX-R 800 all except ZXi | 2003-09 | 13107-3721 | 003-107 |
| 750 ZXi/900/1100 | All | 13107-3737 | 003-109 |
| 1100 ZXi | 96-03 | 13107-3752 | 003-109 |
| 1100 STX | 97-99 | | |
| 1100 STX Di | 00-03 | | |
| 1200 STX-R | 02-05 | | |
| STX-12F | 03-04 | | |
| STX-15F | 04-06 | | |
| 900 STX | 01-06 | | |
| Ultra 130 | 01-04 | 13107-3773 | 003-114 |
| Ultra 150 | 99-05 | | |

POLARIS

| | | | |
|--------|-----|-------------|---------|
| | All | 5020697 | 003-112 |
| except | 92 | s.s 5132674 | |

SEA-DOO

| | | | |
|---------------------------|---------|-------------|------------|
| 580/650/720/800 | All | 271-000-291 | 003-106 |
| G SX, GTX LTD, XP LTD 951 | 98 | 271-000-743 | 003-108 |
| GTi, GTi LE | 01-04 | 271-000-965 | 003-111 |
| GTi RFi | 04-05 | | |
| GTi LE RFi | 03-05 | | |
| GTS | 02 | | |
| GTX LTD | 99 | | |
| GTX Di | 00-03 | | |
| GTX RFi | 02 | | |
| LRV | 00-01 | | |
| LRV Di | 02 | | |
| RX | 00-02 | | |
| RX Di | 00-03 | | |
| XP LTD | 99 | | |
| XP | 00-02 | | |
| XP Di | 03-04 | | |
| 3D RFi | 05 | | |
| 3D 947 Di | 06 | | |
| 4 Tec All | 02-03 | 271-000-263 | 003-113 |
| 4 Tec All | 04 & Up | 267-000-054 | 003-113-01 |

TIGER SHARK

| | | |
|-------------------------------|----------|------------|
| Fits: 1996-97 640 Monte Carlo | 0675-098 | 003-112-01 |
| 1996-97 770 Daytona, | | |
| 1996 900 Monte Carlo | | |
| 1997 1000 Monte Carlo | | |
| 1997 Montego & Montego Dlx | | |

| MODEL | FITS | O.E.M. NO. | PART NO. |
|-------|------|------------|----------|
|-------|------|------------|----------|

JET PUMP BEARINGS

| | | | |
|--------------------------------|------------------------|-------------|------------|
| Jet Pump Bearing | All 580/650/720/800 | 293-350-017 | 010-227 |
| Impeller Shaft Thrust Bearings | 580/650/951, 1997 only | 293-350-002 | 010-228-01 |
| Impeller Shaft Thrust Bearings | 720/800/951, 1998-2001 | 293-350-019 | 010-228-02 |
| Impeller Shaft Thrust Bearings | 951 Late | 213-350-022 | 010-228-03 |
| Thrust Washer | | 293-350-020 | 003-099 |

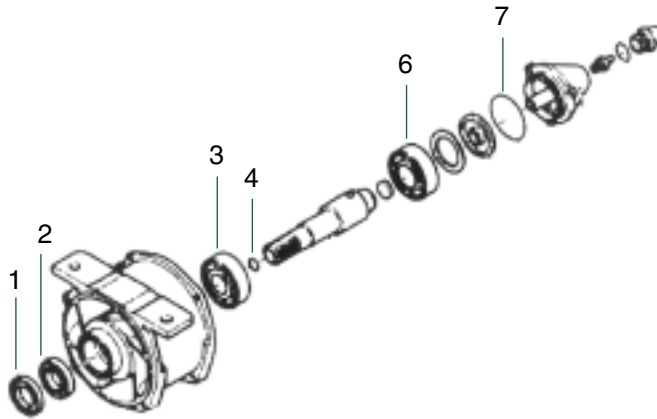
Jet Pump Repair Kits

Drive System

2014 Watercraft Parts & Accessories

KAWASAKI KIT NO. 003-601

Fits: 550 82-89
*Order complete kit
or items individually*

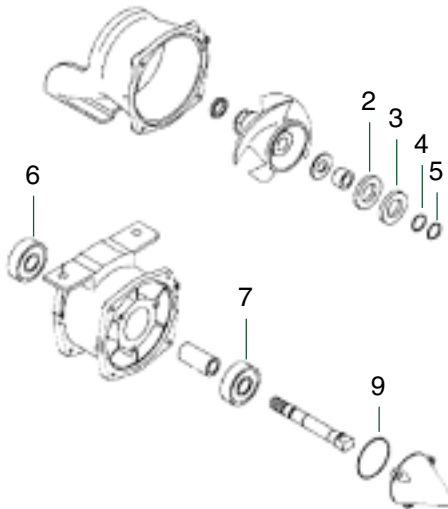


| DESCRIPTION | O.E. NO. | PART NO. | REQ. | REF. NO. |
|-------------|------------|----------|------|----------|
| Oil Seal | 92049-3710 | 009-761 | 1 | 1 |
| Oil Seal | 92049-3711 | 009-762 | 1 | 2 |
| Bearing | 601B-6206 | 010-244 | 2 | 3, 6 |
| O-Ring | 92055-3019 | 008-651 | 1 | 4 |
| O Ring | 92055-3018 | 008-650 | 1 | 7 |

**Not included in kit*

KAWASAKI KIT NO. 003-602

Fits: 550 90-95
*Order complete kit
or items individually*



| DESCRIPTION | O.E. NZO. | PART NO. | REQ. | REF. NO. |
|-------------|------------|----------|------|----------|
| Oil Seal | 92049-3711 | 009-758 | 2 | 2, 3 |
| O-Ring | 92055-1021 | 008-435 | 2 | 4, 5 |
| Bearing | 92045-3706 | 010-200 | 2 | 6, 7 |
| O-Ring | 92055-3706 | 008-447 | 1 | 9 |

**Not included in kit*



New York • 1-800-222-3375
631-244-8060 • fax 631-244-0556
61 Floyd Run, Bohemia, NY 11716

Puerto Rico
787-832-2499 • fax 787-832-2939
234 Balboa Street, Mayaguez, Puerto Rico 00681-2605

e-mail: info@wsmparts.com • www.wsmparts.com

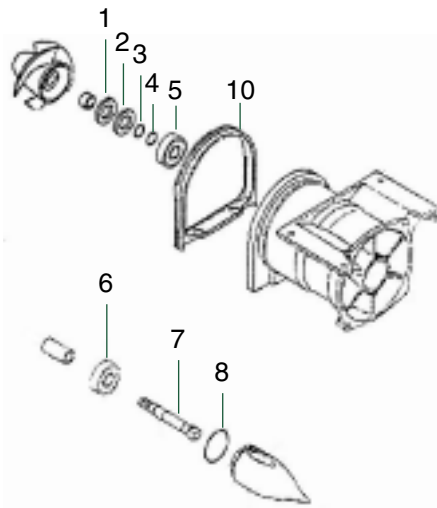


Jet Pump Repair Kits

Drive System

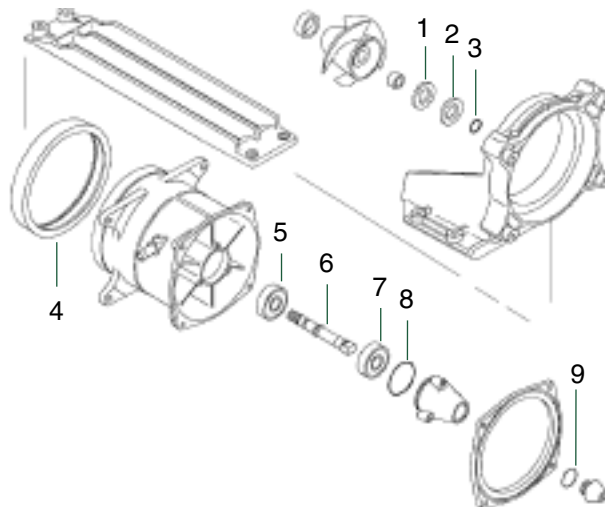
KAWASAKI KIT NO. 003-607

Fits: 650 All, 750 All, 800 All
**Order complete kit
or items individually**



| DESCRIPTION | O.E. NO. | PART NO. | REQ. | REF. NO. |
|-----------------|------------|----------|------|----------|
| Oil Seal | 92049-3714 | 009-738 | 2 | 1, 2 |
| O-Ring | 92055-1021 | 008-435 | 2 | 3, 4 |
| Bearing | 92045-3706 | 010-200 | 2 | 5, 6 |
| *Impeller shaft | 13107-3721 | 003-107* | 1 | 7 |
| O-Ring | 92055-3706 | 008-447 | 1 | 8 |
| *Trim Seal | 39145-3732 | 003-550* | 1 | 10 |

*Not included in kit



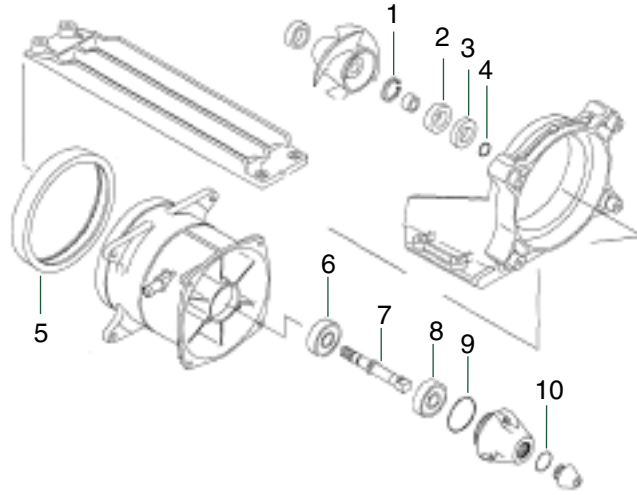
KAWASAKI KIT NO. 003-608

Fits: 750 ZXi 95-97,
900 STS 01-02, 900 ZXi 95-97
**Order complete kit
or items individually**

| DESCRIPTION | O.E. NO. | PART NO. | REQ. | REF. NO. |
|-----------------|------------|----------|------|----------|
| Oil Seal | 92049-3717 | 009-733 | 1 | 1 |
| Oil Seal | 92049-3718 | 009-734 | 1 | 2 |
| O-Ring | 92055-1021 | 008-435 | 1 | 3 |
| *Trim-Seal | 39145-3742 | 003-551* | 1 | 4 |
| Bearing | 92045-3721 | 010-230 | 1 | 5 |
| *Impeller Shaft | 13107-3737 | 003-109* | 1 | 6 |
| Bearing | 92045-3722 | 010-200 | 1 | 7 |
| O-Ring | 92055-3741 | 008-641 | 1 | 8 |
| O-Ring | 670B-2020 | 008-572 | 1 | 9 |

*Not included in kit

Jet Pump Repair Kits

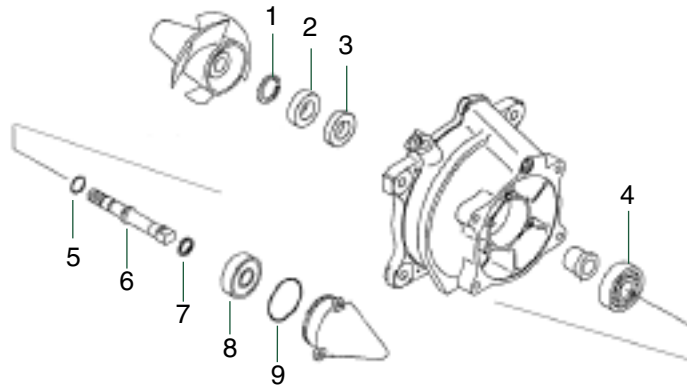


KAWASAKI KIT NO. 003-609

Fits: 900 STX 01-03,
1100 STX 97-99,
1100 STX Di 00-03, 1100 ZXI 96-03,
1200 STX-R 02-04,
STX-12F 03-04, STX 15F 04
**Order complete kit
or items individually**

| DESCRIPTION | O.E. NO. | PART NO. | REQ. | REF. NO. |
|-----------------|------------|----------|------|----------|
| Snap Ring | 92033-3725 | 003-095 | 1 | 1 |
| Oil Seal | 92049-3720 | 009-735T | 1 | 2 |
| Oil Seal | 92049-3721 | 009-736 | 1 | 3 |
| O-Ring | 92055-1011 | 008-436 | 1 | 4 |
| *Trim-Seal | 39145-3742 | 003-551* | 1 | 5 |
| Bearing | 92045-3727 | 010-232 | 1 | 6 |
| *Impeller Shaft | 13107-3752 | 003-109* | 1 | 7 |
| Bearing | 92045-3721 | 010-230 | 1 | 8 |
| O-Ring | 92055-3741 | 008-641 | 1 | 9 |
| O-Ring | 92055-3744 | 008-638 | 1 | 10 |

*Not included in kit



KAWASAKI KIT NO. 003-606

Fits: 1100 Ultra 130 01-04,
1100 Ultra 150 99-02
**Order complete kit
or items individually**

| DESCRIPTION | O.E. NO. | PART NO. | REQ. | REF. NO. |
|-----------------|------------|-------------|------|----------|
| Snap Ring | 92033-3730 | 003-131 | 1 | 1 |
| Oil Seal | 92049-3726 | 009-737T | 1 | 2 |
| Oil Seal | 92049-3727 | 009-737-01T | 1 | 3 |
| Bearing | 92045-3730 | 010-236 | 1 | 4 |
| O-Ring | 92055-1011 | 008-436 | 1 | 5 |
| *Impeller Shaft | 13107-3773 | 003-114* | 1 | 6 |
| Damper/ O-Ring | 92160-3932 | 008-438 | 1 | 7 |
| Bearing | 92045-3721 | 010-230 | 1 | 8 |
| O-Ring | 92055-1520 | 008-439 | 1 | 9 |

*Not included in kit



New York • 1-800-222-3375
631-244-8060 • fax 631-244-0556
61 Floyd Run, Bohemia, NY 11716

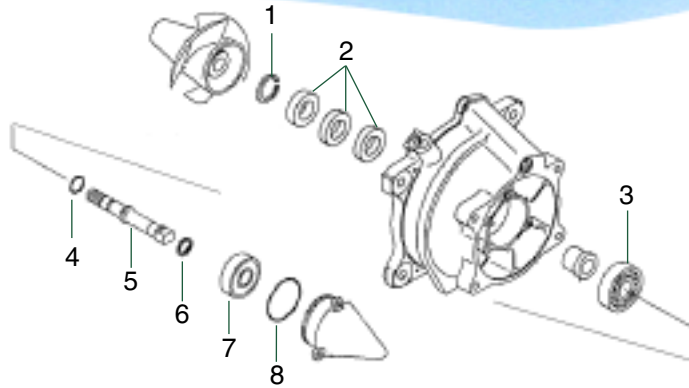
Puerto Rico
787-832-2499 • fax 787-832-2939
234 Balboa Street, Mayaguez, Puerto Rico 00681-2605

e-mail: info@wsmparts.com • www.wsmparts.com



Jet Pump Repair Kits

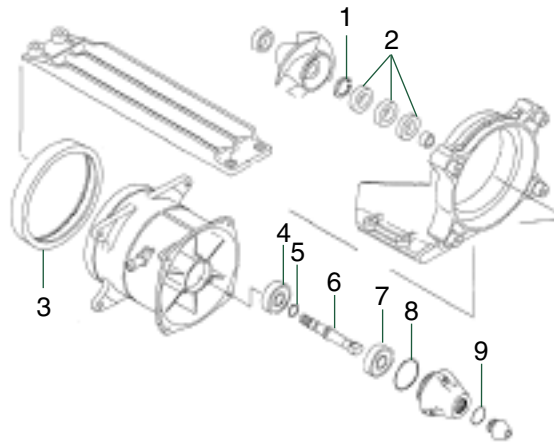
Drive System



**KAWASAKI
KIT NO. 003-613**
Fits: 1200 Ultra 150 03-05
*Order complete kit
or items individually*

| DESCRIPTION | O.E. NO. | PART NO. | REQ. | REF. NO. |
|-----------------|------------|-------------|------|----------|
| Snap Ring | 92033-3730 | 003-131 | 1 | 1 |
| Oil Seal | 92049-3739 | 009-737-02T | 3 | 2 |
| Bearing | 92045-3730 | 010-236 | 1 | 3 |
| O Ring | 92055-1011 | 008-436 | 1 | 4 |
| *Impeller Shaft | 13107-3773 | 003-114* | 1 | 5 |
| Damper | 92160-3932 | 008-438 | 1 | 6 |
| Bearing | 92045-3721 | 010-230 | 1 | 7 |
| O Ring | 92055-1520 | 008-439 | 1 | 8 |

*Not included in kit



**KAWASAKI
KIT NO. 003-614**
Fits: 1200 STX-R 05,
STX-12F 05-08,
STX 15F 05-08
*Order complete kit
or items individually*

| DESCRIPTION | O.E. NO. | PART NO. | REQ. | REF. NO. |
|-----------------|------------|-------------|------|----------|
| Snap Ring | 92033-3730 | 003-131 | 1 | 1 |
| Oil Seal | 92049-3739 | 009-737-02T | 3 | 2 |
| *Trim-Seal | 39145-3742 | 003-551* | 1 | 4 |
| Bearing | 92045-3740 | 010-232 | 1 | 5 |
| O-Ring | 92055-1011 | 008-436 | 1 | 6 |
| *Impeller Shaft | 13107-3752 | 003-109* | 1 | 7 |
| Bearing | 92045-3721 | 010-230 | 1 | 8 |
| O-Ring | 92055-3741 | 008-641 | 1 | 9 |
| O-Ring | 92055-3744 | 008-682 | 1 | 10 |

*Not included in kit

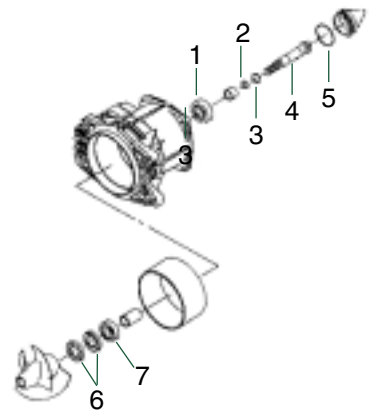
**KAWASAKI
KIT NO. 003-614-01**
Fits: 1200 STX-12F 2007,
1500 STX-15F 2007-09
*Order complete kit
or items individually*

| DESCRIPTION | O.E. NO. | PART NO. | REQ. | REF. NO. |
|----------------|------------|-------------|------|----------|
| Snap Ring | 92033-3730 | 003-131 | 1 | 1 |
| Oil Seal | 92049-3739 | 009-737-02T | 3 | 2 |
| *Trim Seal | 39145-3742 | 003-351* | 1 | 3 |
| Bearing | 92045-3740 | 010-232 | 1 | 4 |
| O-Ring | 92055-1011 | 008-436 | 1 | 5 |
| Impeller Shaft | 13107-3794 | 003-109-01 | 1 | 6 |
| Bearing | 92045-3743 | 010-239 | 1 | 7 |
| O-Ring | 92055-3741 | 008-641 | 1 | 8 |
| O-Ring | 92055-3744 | 008-682 | 1 | 9 |

*Not included in kit

Jet Pump Repair Kits

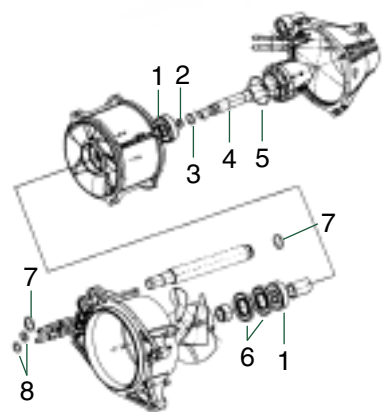
Drive System



POLARIS
KIT NO. 003-615
 Fits: SL 650 92-93, SL 750 93
*Order complete kit
 or items individually*

| DESCRIPTION | O.E. NO. | PART NO. | REQ. | REF. NO. |
|-----------------|----------|----------|------|----------|
| Bearing | 3240007 | 010-234 | 2 | 1,7 |
| O-Ring | 3240016 | 008-677 | 1 | 2 |
| O-Ring | 3240015 | 008-676 | 1 | 3 |
| *Impeller Shaft | 5132674 | 003-112* | 1 | 4 |
| O-Ring | 3240026 | 008-675 | 1 | 5 |
| Oil Seal | 3240006 | 009-770 | 2 | 6 |

*Not included in kit



POLARIS
KIT NO. 003-616
 Fits: All 94-03
*Order complete kit
 or items individually*

| DESCRIPTION | O.E. NO. | PART NO. | REQ. | REF. NO. |
|-----------------|----------|----------|------|----------|
| Bearing | 3514008 | 010-234 | 2 | 1 |
| O-Ring | 5410817 | 008-680 | 1 | 2 |
| O-Ring | 5410818 | 008-679 | 1 | 3 |
| *Impeller Shaft | 5020697 | 003-112* | 1 | 4 |
| O-Ring | 5410819 | 008-678 | 1 | 5 |
| Oil Seal | 3610043 | 009-771 | 2 | 6 |
| O-Ring | 5410735 | 008-682 | 1 | 7 |
| O-Ring | 5410734 | 008-681 | 2 | 8 |

*Not included in kit

2014
 Watercraft Parts & Accessories



New York • 1-800-222-3375
 631-244-8060 • fax 631-244-0556
 61 Floyd Run, Bohemia, NY 11716

Puerto Rico
 787-832-2499 • fax 787-832-2939
 234 Balboa Street, Mayaguez, Puerto Rico 00681-2605

e-mail: info@wsmparts.com • www.wsmparts.com



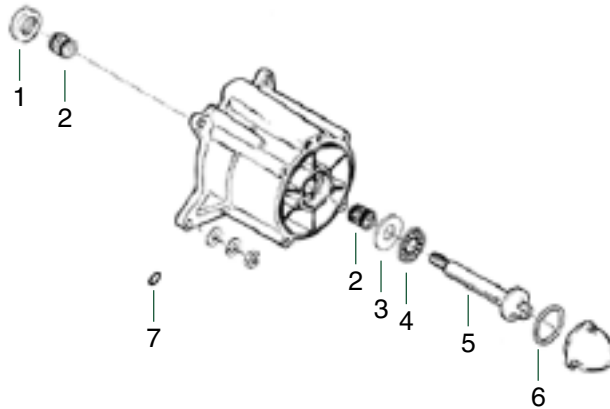
Jet Pump Repair Kits

Drive System

SEA-DOO KIT NO. 003-640

Fits: GT 90-91, GTS 92-96,
GTX 92-94, SP 89-96, SPi 93-96,
SPX 93, XP 91-93

**Order complete kit
or items individually**



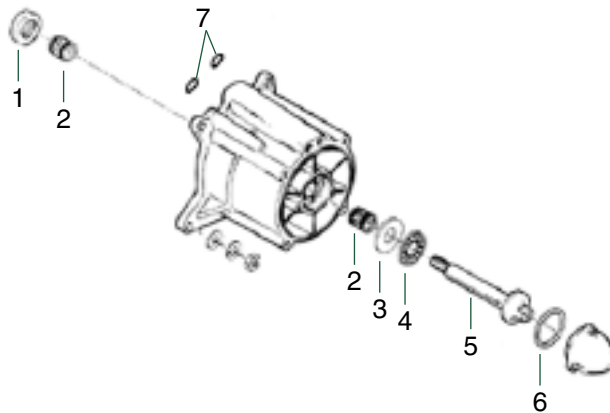
| DESCRIPTION | O.E. NO. | PART NO. | REQ. | REF. NO. |
|-----------------|-------------|------------|------|----------|
| Oil Seal | 293-200-007 | 009-730-01 | 1 | 1 |
| Bearing | 293-350-001 | 010-227 | 2 | 2 |
| Thrust Washer | 293-350-020 | 003-099 | 1 | 3 |
| Thrust Bearing | 293-350-002 | 010-228-01 | 1 | 4 |
| *Impeller Shaft | 271-000-291 | 003-106 | 1 | 5 |
| O-Ring | 293-300-011 | 008-641 | 1 | 6 |
| O-Ring | 293-300-013 | 008-642 | 1 | 7 |

**Not included in kit*

SEA-DOO KIT NO. 003-641

Fits: GS 97-01, GSi 97,
GSX 96-98, GSX LTD 98,
GSX Rfi 99-00, GTi 96-00,
GTX 95-00, GTX Rfi 98-02,
HX 95-97, SP 97, SPX 94-99,
XP 94-97, XPi 94, XP 800 95,
XP LTD 98

**Order complete kit
or items individually**



| DESCRIPTION | O.E. NO. | PART NO. | REQ. | REF. NO. |
|-----------------|-------------|------------|------|----------|
| Oil Seal | 293-200-007 | 009-730-01 | 1 | 1 |
| Bearing | 293-350-001 | 010-227 | 2 | 2 |
| Thrust Washer | 293-350-020 | 003-099 | 1 | 3 |
| Thrust Bearing | 293-350-019 | 010-228-02 | 1 | 4 |
| *Impeller Shaft | 271-000-291 | 003-106* | 1 | 5 |
| O-Ring | 293-300-011 | 008-641 | 1 | 6 |
| O-Ring | 293-300-013 | 008-642 | 2 | 7 |

**Not included in kit*

Jet Pump Repair Kits

Drive System

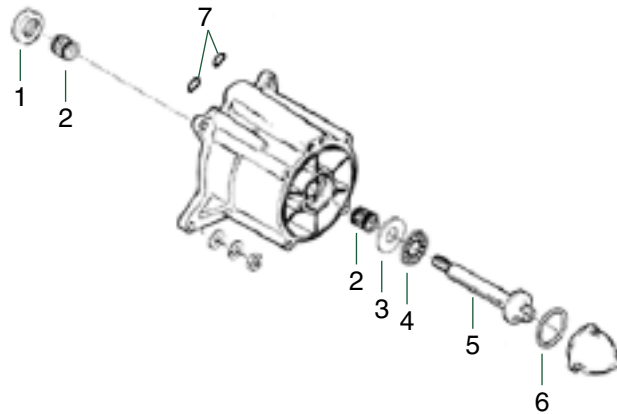
2014 Watercraft Parts & Accessories

SEA-DOO

KIT NO. 003-643

Fits: GSX LTD 99, GTi 01-04,
GTi LE 02-04, GTi Rfi 04,
GTS 01, GTX 00-02,
GTX Di 00-03, GTX LE Rfi 03,
GTX LD 99, LRV 00-01,
LRV Di 02, RX 00-02,
RX Di 00-03, XP 00-02,
XP Di 03-04, XP LTD 99

**Order complete kit
or items individually**



| DESCRIPTION | O.E. NO. | PART NO. | REQ. | REF. NO. |
|-----------------|-------------|------------|------|----------|
| Oil Seal | 293-200-065 | 009-730-01 | 1 | 1 |
| Needle Bearing | 293-350-017 | 010-227 | 2 | 2 |
| Thrust Washer | 293-350-020 | 003-099 | 1 | 3 |
| Thrust Bearing | 293-350-022 | 010-228-03 | 1 | 4 |
| *Impeller Shaft | 271-000-965 | 003-111* | 1 | 5 |
| O-Ring | 293-300-011 | 008-641 | 1 | 6 |
| O-Ring | 293-300-013 | 008-642 | 2 | 7 |

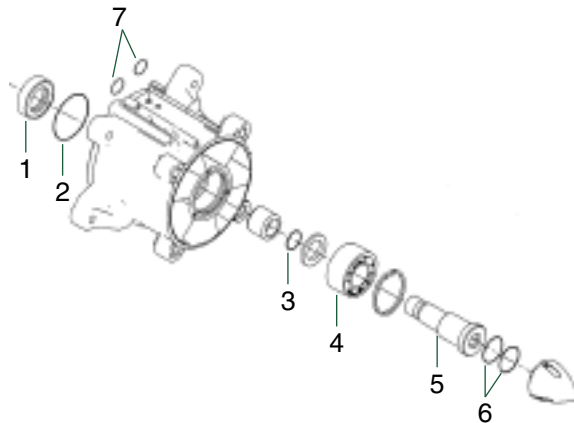
*Not included in kit

SEA-DOO

KIT NO. 003-644

Fits: GTX 4 Tec All 02-03

**Order complete kit
or items individually**



| DESCRIPTION | O.E. NO. | PART NO. | REQ. | REF. NO. |
|-----------------|-------------|-------------|------|----------|
| Oil seal | 293-200-089 | 009-731-02 | 1 | 1 |
| Oil seal | 293-200-080 | 009-731-01T | 1 | 1 |
| O-Ring | 293-300-090 | 008-645 | 1 | 2 |
| O-Ring | 293-300-079 | 008-646 | 1 | 3 |
| Bearing | 293-350-042 | 010-203-01 | 1 | 4 |
| *Impeller Shaft | 271-001-263 | 003-113* | 1 | 5 |
| O-Ring | 293-300-086 | 008-647 | 2 | 6 |
| O-Ring | 293-300-013 | 008-642 | 2 | 7 |

*Not included in kit



New York • 1-800-222-3375
631-244-8060 • fax 631-244-0556
61 Floyd Run, Bohemia, NY 11716

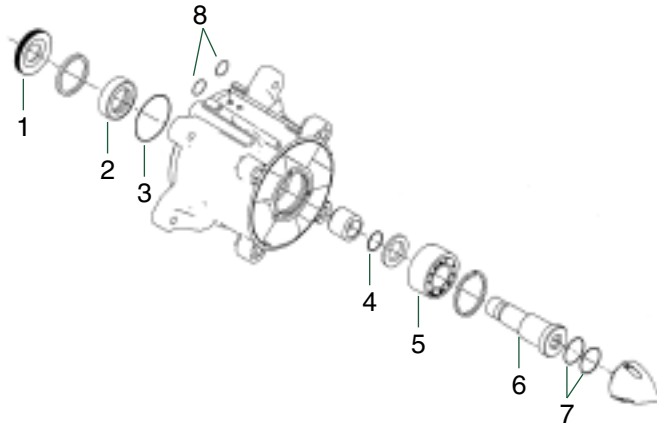
Puerto Rico
787-832-2499 • fax 787-832-2939
234 Balboa Street, Mayaguez, Puerto Rico 00681-2605

e-mail: info@wsmparts.com • www.wsmparts.com



Jet Pump Repair Kits

Drive System



SEA-DOO KIT NO. 003-645

Fits: 4 TEK GTI, ALL 2006-08

GTX, ALL 2004-08

RXP, RXT ALL 2005-08

**Order complete kit
or items individually**

| DESCRIPTION | O.E. NO. | PART NO. | REQ. | REF. NO. |
|-----------------|-------------|-------------|------|----------|
| Oil seal | 293-200-089 | 009-731-02 | 1 | 1 |
| Oil Seal | 293-200-086 | 009-731-01T | 1 | 2 |
| O-Ring | 293-300-090 | 008-645 | 1 | 3 |
| O-Ring | 293-300-079 | 008-646 | 1 | 4 |
| Bearing | 267-000-030 | 010-203 | 1 | 5 |
| *Impeller Shaft | 271-001-263 | 003-113* | 1 | 6 |
| O-Ring | 293-300-086 | 008-647 | 2 | 7 |
| O-Ring | 293-300-013 | 008-642 | 2 | 8 |

*Not included in kit

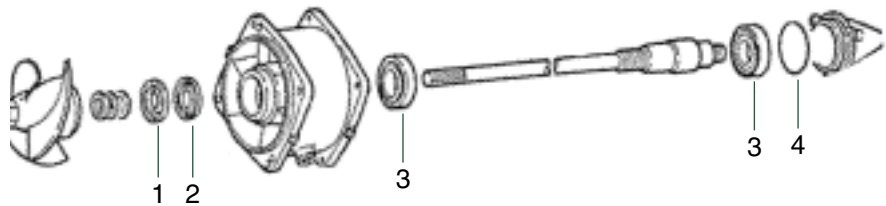
YAMAHA KIT NO. 003-632

Fits: WJ 500 89-90, WR 500

89-93, WR LX 650 91-93,

WR III 650 91

**Order complete kit
or items individually**



| DESCRIPTION | O.E. NO. | REF. NO. | REQ. | PART NO. |
|-------------|----------------|----------|------|----------|
| Oil Seal | 93103-30M00-00 | 1 | 1 | 009-707 |
| Oil Seal | 93101-30M32-00 | 2 | 1 | 009-705 |
| Bearing | 93306-206U6-00 | 3 | 2 | 010-242 |
| O Ring | 93210-57M09-00 | 4 | 1 | 008-556 |

Jet Pump Repair Kits

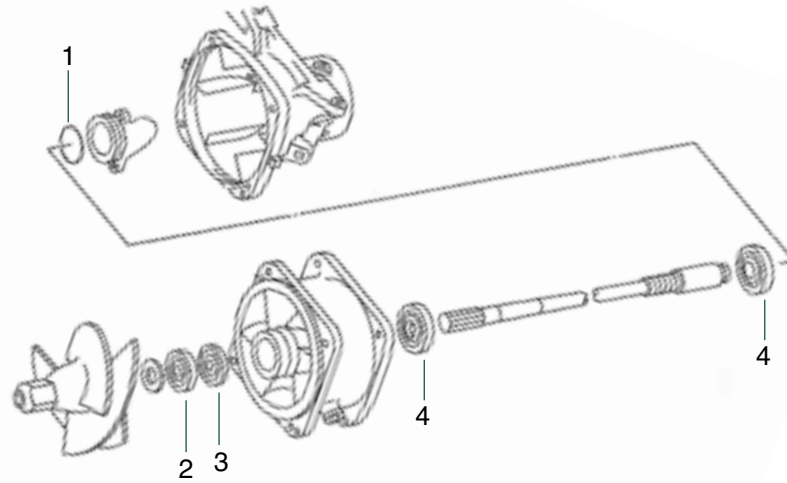
Drive System

2014 Watercraft Parts & Accessories

YAMAHA KIT NO. 003-630

Fits: SJ 650 90-93,
VXR 650 91-93, WR III 650 90-93,
FX1 700 94-95, Raider 700 94-97,
SJ 700 95-08, WR III 700 94-97,
WV 700 96-97

**Order complete kit
or items individually**

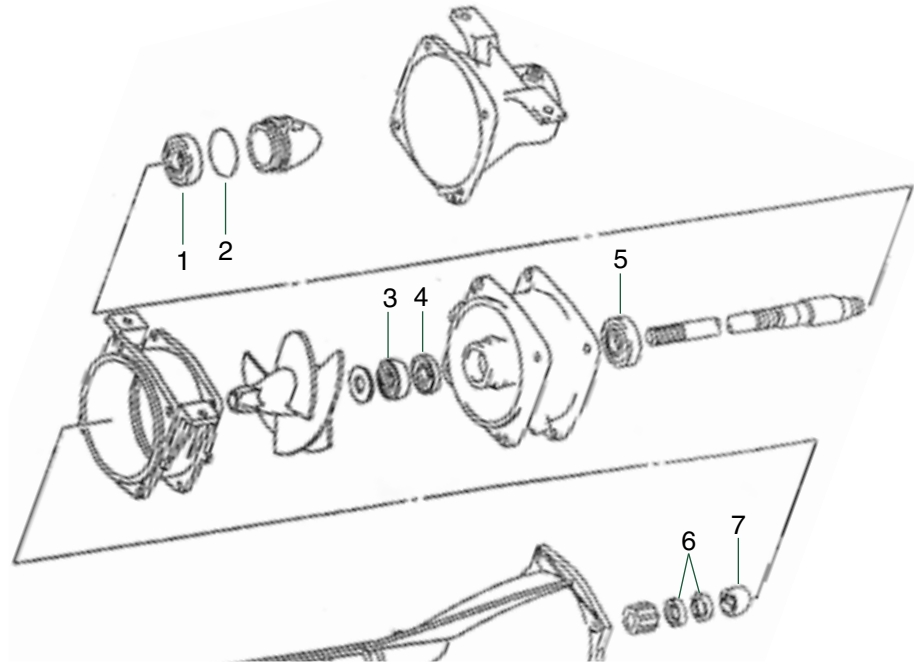


| DESCRIPTION | O.E. NO. | REF. NO. | REQ. | PART NO. |
|-------------|----------------|----------|------|----------|
| Oil Seal | 93102-25M34-00 | 1 | 1 | 009-711T |
| Oil Seal | 93102-25M50-00 | 2 | 1 | 009-701 |
| Bearing | 93306-205U0-00 | 3 | 2 | 010-240 |
| O Ring | 93210-46M16-00 | 4 | 1 | 008-558 |
| Oil Seal | 93102-18M35-00 | 5 | 2 | 009-708 |

YAMAHA KIT NO. 003-631

Fits: WV 700 98, XL 700 99-03,
Blaster 760 96-97, WV 760 97,
XL 760 98-99, Raider 1100 95-96,
WV 1100 96-97

**Order complete kit, or items
individually**



| DESCRIPTION | O.E. NO. | REF. NO. | REQ. | PART NO. |
|-------------|----------------|----------|------|----------|
| Bearing | 93306-205U0-00 | 1 | 1 | 010-240 |
| O Ring | 93306-46M16-00 | 2 | 1 | 008-558 |
| Oil Seal | 93101-25M34-00 | 3 | 1 | 009-711T |
| Oil Seal | 93101-25M50-00 | 4 | 1 | 009-701 |
| Bearing | 93305-205U1-00 | 5 | 1 | 010-238 |
| Oil Seal | 93102-18M35-00 | 6 | 2 | 009-708 |



New York • 1-800-222-3375
631-244-8060 • fax 631-244-0556
61 Floyd Run, Bohemia, NY 11716

Puerto Rico
787-832-2499 • fax 787-832-2939
234 Balboa Street, Mayaguez, Puerto Rico 00681-2605

e-mail: info@wsmparts.com • www.wsmparts.com



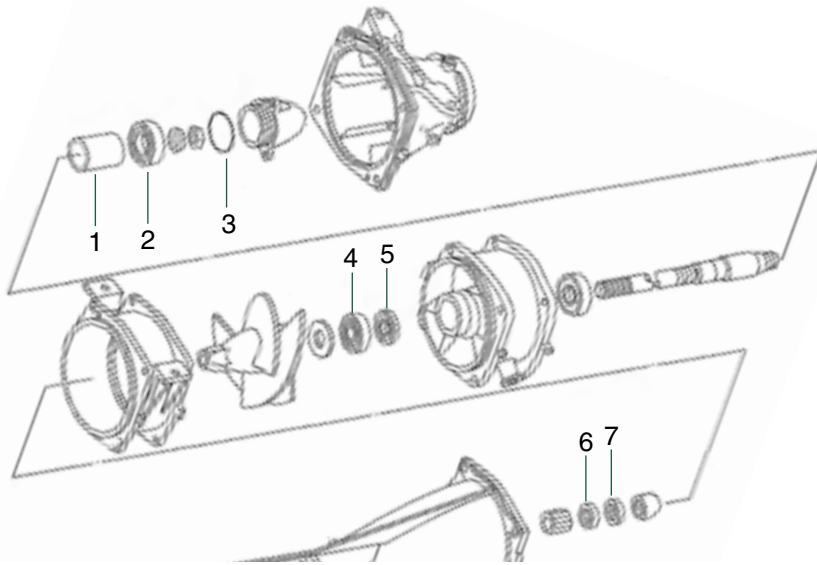
Jet Pump Repair Kits

Drive System

YAMAHA KIT NO. 003-629

Fits: XL 700 04, GP 760 99-00,
WR 760 97-98, GP 800 98-00,
GP 1200 97-99, XL 1200 98

*Order complete kit
or items individually*



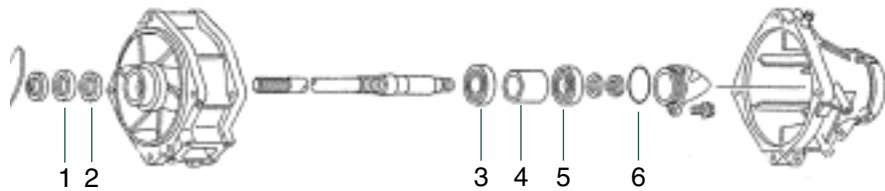
| DESCRIPTION | O.E. NO. | REF. NO. | REQ. | PART NO. |
|-------------|----------------|----------|------|------------|
| Bearing | 93306-304U1-00 | 1 | 1 | 010-234-01 |
| O Ring | 93210-46M16-00 | 2 | 1 | 008-558 |
| Oil Seal | 93102-25M34-00 | 3 | 1 | 009-711T |
| Oil Seal | 93101-25M50-00 | 4 | 1 | 009-701 |
| Bearing | 93306-205U0-00 | 5 | 1 | 010-240 |
| Oil Seal | 93102-17M49-00 | 6 | 1 | 009-712 |
| Oil Seal | 93102-17M50-00 | 7 | 1 | 009-713 |

YAMAHA KIT NO. 003-627

Fits: GP 800 01-05, XL 800 00-01,
XLT 800 02-04, GP 1200 00-02,
SUV 1200 99-04, XL 1200 99-01,
XLT 1200 02-05, GPR 1300 03-08,

FX 4 Strokes all models

*Order complete kit
or items individually*

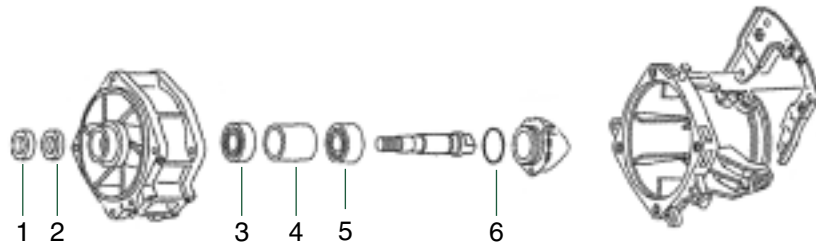


| DESCRIPTION | O.E. NO. | REF. NO. | REQ. | PART NO. |
|-------------|----------------|----------|------|------------|
| Oil Seal | 93101-28M66-00 | 1 | 1 | 009-715T |
| Oil Seal | 93101-28M65-00 | 2 | 1 | 009-714 |
| Bearing | 93306-205U0-00 | 3 | 1 | 010-240 |
| Bearing | 93306-304U1-00 | 4 | 1 | 010-234-01 |
| O Ring | 93210-46M16-00 | 5 | 1 | 008-558 |

Jet Pump Repair Kits

Drive System

2011 Watercraft Parts & Accessories



YAMAHA KIT NO. 003-626

Fits: VX 1100 All models 05-08

*Order complete kit
or items individually*

| DESCRIPTION | O.E. NO. | REF. NO. | REQ. | PART NO. |
|-------------|----------------|----------|------|----------|
| Oil seal | 93101-21001-00 | 1 | 1 | 009-716 |
| Oil Seal | 93101-21002-00 | 2 | 1 | 009-717 |
| Bearing | 93306-27211-00 | 3 | 1 | 010-247 |
| Bearing | 93306-205U1-00 | 4 | 1 | 010-240 |
| O Ring | 93210-46A3-00 | 5 | 1 | 008-561 |

Yamaha Quick Reference Chart

| MODEL | YEAR | KIT NO. |
|-------------------|-------|---------|
| WJ 500 | 90 | 003-632 |
| WR 500 | 90-93 | 003-632 |
| SJ 650 | 90-93 | 003-630 |
| VXR 650 | 91-95 | 003-630 |
| WR III 650 | 90 | 003-630 |
| WR III 650 | 91-96 | 003-630 |
| S.N. 8001001 & UP | | |
| WR LX 650 | 91-93 | 003-632 |
| Blaster 700 | 93-96 | 003-630 |
| FX1 700 | 94-95 | 003-630 |
| Raider 700 | 94-97 | 003-630 |
| SJ 700 | 95-07 | 003-630 |
| VXR Pro 700 | 93-94 | 003-630 |
| WR III 700 | 94-97 | 003-630 |
| WV 700 | 95-96 | 003-630 |
| WV 700 | 98 | 003-631 |
| XL 700 | 99-03 | 003-631 |
| XL 700 | 04 | 003-629 |
| Blaster 760 | 96-97 | 003-631 |
| GP 760 | 99-00 | 003-629 |

| MODEL | YEAR | KIT NO. |
|------------------------|-------|---------|
| Raider 760 | 96 | 003-630 |
| WR 760 | 97-98 | 003-629 |
| WV 760 | 97 | 003-631 |
| XL 760 | 98-99 | 003-631 |
| GP 800 | 98-00 | 003-629 |
| GP 800 | 01-05 | 003-627 |
| XL 800 | 00-01 | 003-627 |
| XLT 800 | 02-04 | 003-627 |
| Raider 1100 | 95-96 | 003-631 |
| VX 1100 All models | 05-08 | 003-626 |
| WV 1100 | 96-97 | 003-631 |
| GP 1200 | 97-99 | 003-629 |
| GP 1200 | 00-02 | 003-627 |
| SUV 1200 | 99-04 | 003-627 |
| XL 1200 | 98 | 003-629 |
| XL 1200 | 99-01 | 003-627 |
| XLT 1200 | 02-05 | 003-627 |
| GPR 1300 | 03-08 | 003-627 |
| FX 4 stroke All models | 02-08 | 003-627 |
| Super H.O. | 08 | N/A |



New York • 1-800-222-3375
631-244-8060 • fax 631-244-0556
61 Floyd Run, Bohemia, NY 11716

Puerto Rico
787-832-2499 • fax 787-832-2939
234 Balboa Street, Mayaguez, Puerto Rico 00681-2605

e-mail: info@wsmparts.com • www.wsmparts.com



Drive Line Tools

Drive System

Impeller Holding Tool



| FITS | PART NO. |
|------------------------------|----------|
| KAWASAKI 440/550 14mm spline | 003-312 |



| | |
|---|---------|
| All KAWASAKI 650 & up SEA-DOO All 18mm spline | 003-313 |
|---|---------|



| | |
|-------------------------|---------|
| POLARIS 20mm spline All | 003-324 |
|-------------------------|---------|



| | |
|------------------------------------|------------|
| SEA-DOO Prop Tool GTX SC 1200 22mm | 003-316-02 |
|------------------------------------|------------|



| | |
|---------------------------------|------------|
| SEA-DOO Prop Tool RXT 1500 27mm | 003-316-03 |
|---------------------------------|------------|

Yamaha Prop Removal Tool



| FITS | PART NO. |
|-------------------------|----------|
| 500/650 all 16mm Spline | 003-315 |



| | |
|---|---------|
| 701/760/1100 1200 Old Style 18mm Spline | 003-316 |
|---|---------|



| | |
|--------------------------------|------------|
| 1200R Newest Style 20mm Spline | 003-316-01 |
|--------------------------------|------------|

Yamaha Coupler Tool



| FITS | PART NO. |
|-------------------------------|----------|
| 650/701 All 3 Finger Couplers | 003-314 |



| | |
|--------------------------------|------------|
| 760/1100 All 5 Finger Couplers | 003-314-01 |
|--------------------------------|------------|

2011 Watercraft Parts & Accessories

Impellers



SOLAS, the technology leader in the impeller design, creates lots of outstanding advantages built into its products. All SOLAS impellers are made of an ultra high strength, corrosion resistant stainless steel, and are cast in a one-piece mold without bending the edges of the blades to achieve the perfect pitch.

Dynaflly Impeller

Solas' newest technology. New for 2000, this impeller is currently available for the Kawasaki Ultra 150 and the Sea-Doo 155mm pumps (951 cc craft).

Concord Impeller

In 1998, Solas introduced the new Concord series of impellers featuring a new radial leading edge design, with Solas' innovative blade technology. The Concord design produces explosive bottom end acceleration, great rough-water hook up, and more top speed in most applications compared with other similar designs. The Concord design is very popular in competition and with recreational riders alike. The blades are placed around a pear shaped hub which directs the water efficiently and therefore faster. A more aggressive impeller design, the blades are straight cut which provides a better brake through the water.

X-Series Impeller

This model includes the X, XO, XI, XII series. It is designed with the "Best of Both Worlds" frame of mind. In most applications it is suggested you will gain low end acceleration, a powerful midrange, and an impressive top end speed. The X-Prop is very popular in competition and with recreational riders alike. The blades are placed around a pear shaped hub which directs the water efficiently and therefore faster. A more aggressive impeller design, the blades are straight cut which provides a better brake through the water.

Super Camber S-I-J-K-H

The Super Camber S-I-J-K-H series is a more streamlined design than the A-B-C series, in reference to the hub and rubber seal. This design is very effective at reducing cavitation in more of the mid-level craft available. In most applications it is suggested for, this style impeller provides excellent top speed while retaining plenty of acceleration performance.

Super Camber A-B-C-D-E

The Super Camber A-B-C-D-E series is Solas' original design Impeller mainly used on entry-level watercraft. The Super Camber Blade design, with a progressive pitch from the leading edge to the trailing edge, catches the fluid characteristics and increases the thrust of the impeller. This is a great all-around performance impeller for the suggested applications.

Intake Grates – Hook up at all time

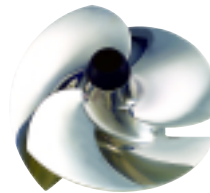
The definition of SOLAS performance is not simply speed. Instead, its speed, handling, dependability, durability, smooth operation, and lots more. SOLAS intake grate is made of cast aluminum. Each is finished with an epoxy powder coating which makes SOLAS intake grates highly corrosion and abrasion resistant. The airfoil section allows more water flow consistently into the pump to eliminate cavitation and improves hook up capability. SOLAS offers several models for the PWC Market.



HA-CD-1729



KG-CD-1521



KG-DF-1224



KH-DF-1620



KP-DF-1322



MC-CD-1827



PF-CD-1523



SD-SC-B



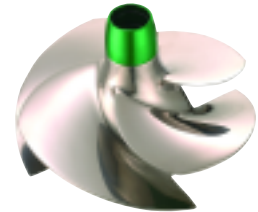
SRX-CD-1419-2



SRX-CD-1419-3



SD-SC-XO



SRX-CD-1119



ST-CD-10-16



ST-DF



SRX-CD-1419



SRX-CD-1419-1

Drive System

Watercraft Parts & Accessories



New York • 1-800-222-3375
631-244-8060 • fax 631-244-0556
61 Floyd Run, Bohemia, NY 11716

Puerto Rico
787-832-2499 • fax 787-832-2939
234 Balboa Street, Mayaguez, Puerto Rico 00681-2605

e-mail: info@wsmparts.com • www.wsmparts.com



Impellers



| ENGINE | MODEL | YEAR | SERIES | NOTE | PITCH |
|-----------------|---------------------|-----------|-------------|-------|-----------|
| HONDA | | | | | |
| | | | Concord | | |
| 1235 Turbo | R-12X | 2004-2007 | HA-CD-17/29 | 1 & 2 | |
| | F-12X / GPScope | 2002 & Up | HA-CD-18/30 | 3 | |
| | | | Concord | | |
| 1235 | R-12 | 2004 | HA-CD-9/18 | 1 & 2 | |
| | F-12 | 2002-2004 | | | |
| KAWASAKI | | | | | |
| | | | Concord | | |
| 1498 | STX-15F | 2004 & Up | KG-CD-14/21 | 1 & 2 | |
| | | | KG-CD-15/21 | 3 | |
| | | | Concord | | |
| 1498 | ULTRA 250X | 2007 & Up | KX-CD-16/21 | 1 | |
| | | | Concord | | |
| 1498 | ULTRA 260 LX | 2007 & Up | KX-CD-10/16 | 1 & 2 | |
| | | | Concord | | |
| 1199 | STX-12F | 2003 & Up | KG-CD-12/18 | 1 | |
| | | | KG-CD-13/19 | 1 & 2 | |
| | | | KG-CD-14/21 | 3 | |
| | | | DynaFly | | |
| 1176 | ULTRA 150 | 1999-2006 | KH-DF-16/20 | 1 & 2 | |
| | | | KH-DF-17/21 | 3 | |
| | | | Concord | | |
| 1176 | 1200 STX-R | 2002-2006 | KG-CD-15/21 | 1 & 2 | |
| | | | KG-CD-16/22 | 3 | |
| | | | DynaFly | | |
| | | | KG-DF-13/25 | 1 & 2 | |
| | | | KG-DF-14/26 | 3 | |
| | | | Concord | | |
| 1071 | 1100 STX | 1997-1998 | KG-CD-13/19 | 1 & 2 | |
| | 1100 STX DI | 2001-2003 | KG-CD-14/21 | 3 | |
| | 1100 ZXi | 1996-2003 | | | |
| | ULTRA 130 DI | 2001-2006 | Xprop | | |
| | | | KG-SC-X | 1 & 2 | (16.5-24) |
| | | | KG-SC-XO | 3 | (17-24.5) |
| | | | Concord | | |
| 891 | 900 STX | 2003-2006 | KG-CD-12/18 | 1 & 2 | |
| | | | KG-CD-13/19 | 3 | |
| | | | Xprop | | |
| 891 | 900 STX / STS / Zxi | 1996-2002 | KF-SC-X | 1 | (16-23) |
| | | | KF-SC-XO | 2 | (18-23.5) |
| | | | IJK Series | | |
| | | | KF-SC-I | 1 & 2 | (16-21) |
| | | | DynaFly | | |
| 782 | 800 SX-R | 2003 & Up | KP-DF-13/22 | 1 | |
| | | | KP-DF-14/23 | 2,3 | |

Note: 1 Stock Engine= No Modification made to Engine

Note: 2 Limited Engine= Little Modification limited to bolt on items with slight horsepower increase.

Note: 3 Modified Engine= Modification includes bolt-on items and internal changes increasing horsepower

Drive System

2011 Watercraft Parts & Accessories



Impellers



Drive System

2014 Watercraft Parts & Accessories

| ENGINE | MODEL | YEAR | SERIES | NOTE | PITCH |
|---------------------------|--|--|-------------|-------|---------|
| KAWASAKI continued | | | | | |
| 743 | 750 Sxi Pro | 1995-2002 | Concord | | |
| | | | KE-CD-9/15 | 1 | |
| | | | KE-CD-11/16 | 2 & 3 | |
| | | | Xprop | | |
| | | | KE-SC-X | 1,2,3 | (14-21) |
| | | | IJK Series | | |
| | | | KE-SC-S | 1 & 2 | (13-18) |
| | | | KE-SC-I | 3 | (14-19) |
| | | | Concord | | |
| | | | KE-CD-11/16 | 1 | |
| 743 | 750 STS 750 Xi 750 Xi Sport 750 ZXi | 1995-2001 1993-1997 1993-2000 1995-1997 | KE-CD-11/16 | 2 & 3 | |
| | | | KE-CD-12/18 | 1 | |
| | | | Xprop | | |
| | | | KE-SC-X | 1 & 2 | (14-21) |
| | | | KE-SC-XI | 3 | (16-23) |
| | | | IJK Series | | |
| | | | KE-SC-S | 1 | (13-18) |
| | | | KE-SC-I | 2 | (14-19) |
| | | | KE-SC-J | 3 | (15-20) |
| | | | Concord | | |
| KE-CD-09/15 | 1 | | | | |
| 743 | 750 SS | 1992-1997 | KE-CD-11/16 | 2 & 3 | |
| | | | ABC Series | | |
| | | | KE-SC-A | 1 | (13-18) |
| | | | KE-SC-B | 2 | (14-19) |
| | | | Concord | | |
| | | | KE-CD-11/16 | 1 | |
| | | | KE-CD-12/18 | 2 & 3 | |
| | | | ABC Series | | |
| | | | KE-SC-A | 1 | (13-18) |
| | | | KE-SC-B | 2 | (14-19) |
| 743 | 750 ST 750 SX 750 XiR | 1993-1995 1992-1996 1994 | Concord | | |
| | | | KE-CD-11/16 | 1 | |
| | | | KE-CD-12/18 | 2 & 3 | |
| | | | IJK Series | | |
| | | | KE-SC-I | 1 | (14-19) |
| | | | KE-SC-J | 2 & 3 | (15-20) |
| | | | ABC Series | | |
| | | | KE-SC-A | 1 | (13-18) |
| | | | KE-SC-B | 2 | (14-19) |
| | | | IJK Series | | |
| 635 | 650 TS / 650 SX 650 X-2 | 1989-1996 1991-1996 | KA-SC-I | 1 & 2 | (13-18) |
| | | | KA-SC-J | 3 | (14-19) |

Note: 1 Stock Engine= No Modification made to Engine
 Note: 2 Limited Engine= Little Modification limited to bolt on items with slight horsepower increase.
 Note: 3 Modified Engine= Modification includes bolt-on items and internal changes increasing horsepower



New York • 1-800-222-3375
 631-244-8060 • fax 631-244-0556
 61 Floyd Run, Bohemia, NY 11716

Puerto Rico
 787-832-2499 • fax 787-832-2939
 234 Balboa Street, Mayaguez, Puerto Rico 00681-2605

e-mail: info@wsmparts.com • www.wsmparts.com



Impellers



| ENGINE | MODEL | YEAR | SERIES | NOTE | PITCH |
|---------------------------|------------------------------------|------------------------|-------------|-------|-----------|
| KAWASAKI continued | | | | | |
| 550 | 550 JS | 1982-1989 | ABC Series | | |
| | 550 SX | 1990-1996 | KD-SC-A | 1 | (13-18) |
| 440 | 440 JS | 1977-1994 | ABC Series | | |
| | | | KC-SC-A | 1 | (13-18) |
| | | | KC-SC-B | 2 & 3 | (14-19) |
| POLARIS | | | | | |
| 1165 | Genesis FFI Genesis / Genesis i | 2000 1999-2004 | X-Prop | | |
| | | | PA-SC-XO | 1 | (16.5-23) |
| | | | PA-SC-XI | 2 | (17-24) |
| | | | IJK Series | | (15.5-26) |
| 1165 | Pro 1200 Virage TX / TXi | 2000-2002 2000-2002 | PA-SC-I | 1 & 2 | (15-24) |
| | | | Concord | | |
| | | | PA-CD-15/21 | 1 | |
| | | | PA-CD-16/22 | 2 & 3 | |
| 1165 | | | X-Prop | | |
| | | | PA-SC-XO | 1 | (16.5-23) |
| | | | PA-SC-XI | 2 | (17-24) |
| | | | IJK Series | | (15.5-26) |
| 1165 | | | PA-SC-I | 1 & 2 | (15-24) |
| | | | Concord | | |
| | | | PA-CD-15/21 | 1 & 2 | |
| | | | PA-CD-16/22 | 3 | |
| 1050 | SL / SLX / SLXH / SLTX | 1997-1998 | Concord | | |
| | | | PA-CD-14/20 | 1 | |
| | | | PA-CD-15/21 | 2 & 3 | |
| | | | X-Prop | | |
| 1050 | | | PA-SC-X | 1 | (14-21) |
| | | | PA-SC-XO | 2 & 3 | (16.5-23) |
| | | | IJK Series | | |
| | | | PA-SC-S | 1 | (14-23) |
| 1050 | | | PA-SC-I | 2 & 3 | (15-24) |
| | | | Concord | | |
| | | | PA-CD-13/19 | 1 | |
| | | | PA-CD-14/20 | 2 & 3 | |
| 900 | SL 900 | 1996-1997 | X-Prop | | |
| | | | PA-SC-X | 1 | (14-21) |
| | | | PA-SC-XO | 2 & 3 | (16.5-23) |
| | | | IJK Series | | |
| 900 | | | PA-SC-S | 1 | (14-23) |
| | | | PA-SC-I | 2 & 3 | (15-24) |

Note: 1 Stock Engine= No Modification made to Engine

Note: 2 Limited Engine= Little Modification limited to bolt on items with slight horsepower increase.

Note: 3 Modified Engine= Modification includes bolt-on items and internal changes increasing horsepower



Drive System

2011 Watercraft Parts & Accessories

Impellers



| ENGINE | MODEL | YEAR | SERIES | NOTE | PITCH |
|--------------------------|--------------|-----------|--------------|-------|-----------|
| POLARIS continued | | | | | |
| | | | Concord | | |
| 779 | SL / SLT 780 | 1996-2001 | PA-CD-12/18 | 1 | |
| | SLX Pro 785 | | PA-CD-13/19 | 2 | |
| | | | PA-CD-14/20 | 3 | |
| | | | X-Prop | | |
| | | | PA-SC-X | 1 | (14-21) |
| | | | PA-SC-XO | 2 & 3 | (16.5-23) |
| | | | IJK Series | | |
| | | | PA-SC-S | 1 | (14-23) |
| | | | PA-SC-I | 2 & 3 | (15-24) |
| | | | Concord | | |
| 777 | OCTANE | 2002-2004 | PF-CD-15/23 | 1 | |
| | | | PF-CD-16/24 | 2 & 3 | |
| | | | Concord | | |
| 777 | VIRAGE I | 2002-2004 | PA-CD-12/18 | 1 | |
| | | | PA-CD-13/19 | 2 & 3 | |
| | | | Concord | | |
| 750 | MSX150 | 2003-2004 | PA-CD-13/19 | 1 & 2 | |
| | | | PA-CD-14/20 | 3 | |
| | | | Concord | | |
| 750 | MSX110 | 2003-2004 | PA-CD-12/18 | 1,2,3 | |
| | | | Concord | | |
| 744 | SL / SLT 750 | 1994-1995 | PA-CD-12/18 | 1 & 2 | |
| | | | PA-CD-13/19 | 3 | |
| | | | IJK Series | | |
| | | | PA-SC-S | 1 & 2 | (14-23) |
| | | | Concord | | |
| 700 | Freedom | 2002-2004 | PA-CD-12/18 | 1 & 2 | |
| | Hurricane | 1996-1997 | PA-CD-13/19 | 3 | |
| | SL700 | 1996-1997 | | | |
| | SLH | 1998-2001 | IJK Series | | |
| | VIRAGE | 2000-2004 | PA-SC-S | 1 & 2 | (14-23) |
| SEA-DOO | | | | | |
| | | | Concord | | |
| 1494 | RXP-X 255 | 2009 | SRX-CD-15/21 | 1 & 2 | |
| | | | Concord | | |
| 1494 | RXP (215HP) | 2009 | SRZ-CD-14/19 | 1 & 2 | |
| | | | SRZ-CD-15/21 | 3 | |
| | | | Concord | | |
| 1494 | RXP-X | 2008 | SRX-CD-15/21 | 1 & 2 | |
| | | | Concord | | |
| 1494 | RXP (215HP) | 2004-2007 | SRX-CD-14/19 | 1 & 2 | |
| | | | SRX-CD-15/21 | 3 | |

Note: 1 Stock Engine= No Modification made to Engine

Note: 2 Limited Engine= Little Modification limited to bolt on items with slight horsepower increase.

Note: 3 Modified Engine= Modification includes bolt-on items and internal changes increasing horsepower



New York • 1-800-222-3375
631-244-8060 • fax 631-244-0556
61 Floyd Run, Bohemia, NY 11716

Puerto Rico
787-832-2499 • fax 787-832-2939
234 Balboa Street, Mayaguez, Puerto Rico 00681-2605

e-mail: info@wsmparts.com • www.wsmparts.com



Drive System

2014 Watercraft Parts & Accessories

Impellers



| ENGINE | MODEL | YEAR | SERIES | NOTE | PITCH |
|--------------------------|--------------------------------|-----------|--------------|-------|-------|
| SEA-DOO continued | | | | | |
| | | | Concord | | |
| 1494 | RXT IS 260 / RXT-X 260 | 2009 | SRZ-CD-15/21 | 1 & 2 | |
| | | | Concord | | |
| 1494 | RXT-X | 2008 | SRX-CD-14/19 | 1 & 2 | |
| | | | Concord | | |
| 1494 | RXT (215HP) | 2009 | SRZ-CD-13/18 | 1 | |
| | | | SRZ-CD-14/19 | 2 | |
| | | | SRZ-CD-15/21 | 3 | |
| | | | Concord | | |
| 1494 | RXT (215HP) | 2005-2007 | SRX-CD-13/18 | 1 | |
| | | | SRX-CD-14/19 | 2 | |
| | | | SRX-CD-15/21 | 3 | |
| | | | Concord | | |
| | GTX LIMITED IS 260 | 2009 | SRZ-CD-15/21 | 1 & 2 | |
| | | | Concord | | |
| 1494 | GTX (215hp) | 2009 | SRZ-CD-13/18 | 1 | |
| | | | SRZ-CD-14/19 | 2 | |
| | | | SRZ-CD-15/21 | 3 | |
| | | | Concord | | |
| 1494 | GTX Limited (215HP) | 2004-2007 | SRX-CD-13/18 | 1 | |
| | | | SRX-CD-14/19 | 2 | |
| | | | SRX-CD-15/21 | 3 | |
| | | | Concord | | |
| 1494 | GTX LTD. Super charged (185hp) | 2003-2004 | SR-CD-12/20 | 1 | |
| | GTX Supercharged (185HP) | 2003-2006 | SR-CD-13/21 | 2 & 3 | |
| | | | Concord | | |
| 1494 | GTX & WAKE (155hp) | 2002-2007 | SR-CD-11/19 | 1 | |
| | | | SR-CD-12/20 | 2 & 3 | |
| | | | Concord | | |
| 1494 | GTI / GTI SE 130 | 2006-2007 | SR-CD-10/18 | 1 | |
| | | | SR-CD-11/19 | 2 & 3 | |
| | | | Concord | | |
| 1494 | WAKE PRO (215hp) | 2009 | SRZ-CD-13/18 | 1 | |
| | | | SRZ-CD-14/19 | 2 | |
| | | | SRZ-CD-15/21 | 3 | |
| | | | Concord | | |
| 1494 | WAKE Super charged (215HP) | 2007 | SRX-CD-13/18 | 1 | |
| | | | SRX-CD-14/19 | 2 | |
| | | | SRX-CD-15/21 | 3 | |
| | | | DynaFly | | |
| | | | ST-DF-13/19 | 1 & 2 | |
| | | | ST-DF-14/20 | 3 | |
| 951 | XP / XP DI | 2000-2004 | | | |
| | RX / RX DI | 2000-2003 | Concord | | |
| | | | ST-CD-15/20 | 1 | |
| | | | ST-CD-16/21 | 2 | |
| | | | ST-CD-17/22 | 3 | |

Note: 1 Stock Engine= No Modification made to Engine

Note: 2 Limited Engine= Little Modification limited to bolt on items with slight horsepower increase.

Note: 3 Modified Engine= Modification includes bolt-on items and internal changes increasing horsepower



Drive System

2011 Watercraft Parts & Accessories

Impellers



| ENGINE | MODEL | YEAR | SERIES | NOTE | PITCH |
|--------------------------|----------------------------------|-------------------------------------|-------------|-------|-------------|
| SEA-DOO continued | | | | | |
| 951 | XP LTD. | 1998-1999 | Concord | | |
| | | | ST-CD-15/20 | 1 & 2 | |
| | | | ST-CD-16/21 | 3 | |
| | | | X-Prop | | |
| | | | ST-SC-XO | 1 & 2 | (14.5-17.5) |
| | | | ST-SC-XI | 3 | (15.5-18.5) |
| 951 | RXX | 2001-2002 | Concord | | |
| | | | KG-CD-15/21 | 1 | |
| | | | KG-CD-16/22 | 2 & 3 | |
| 951 | GSX LTD. GTX LTD. GTX / DI | 1998-1999 1998-2002 2000-2003 | DynaFly | | |
| | | | ST-DF-13/19 | 1 & 2 | |
| | | | ST-DF-14/20 | 3 | |
| | | | Concord | | |
| | | | ST-CD-15/20 | 1 & 2 | |
| | | | ST-CD-16/21 | 3 | |
| 951 | LRV / LRV DI | 2000-2003 | Concord | | |
| | | | ST-CD-14/19 | 1 & 2 | |
| | | | ST-CD-15/20 | 3 | |
| | | | X-Prop | | |
| | | | ST-SC-XO | 1 & 2 | (14.5-17.5) |
| | | | ST-SC-XI | 3 | (15.5-18.5) |
| 782 | SPX GSX XP | 1997-1999 1996-1997 1995-1997 | Concord | | |
| | | | SD-CD-15/23 | 1 | |
| | | | SD-CD-16/24 | 2 | |
| | | | SD-CD-17/25 | 3 | |
| | | | X-Prop | | |
| | | | SD-SC-XO | 1 & 2 | (16.5-23.5) |
| | | | SD-SC-XI | 3 | (17-24) |
| 782 | GSX RFI GTX RFI | 1999-2001 1998-2002 | Concord | | |
| | | | SF-CD-15/23 | 1 | |
| | | | SF-CD-16/24 | 2 | |
| 782 | GTX | 1996-1997 | Concord | | |
| | | | SD-CD-14/22 | 1 | |
| | | | SD-CD-15/23 | 2 | |
| | | | SD-CD-16/24 | 3 | |
| | | | X-Prop | | |
| | | | SD-SC-XO | 1 & 2 | (16.5-23.5) |
| | | | SD-SC-XI | 3 | (17-24) |
| 782 | GTI LE RFI | 2003-2004 | DynaFly | | |
| | | | ST-DF-12/18 | 1 | |
| | | | ST-DF-13/19 | 2 | |
| | | | ST-DF-14/20 | 3 | |
| | | | Concord | | |
| | | | ST-CD-14/19 | 1 & 2 | |
| | | | ST-CD-15/20 | 3 | |

Note: 1 Stock Engine= No Modification made to Engine

Note: 2 Limited Engine= Little Modification limited to bolt on items with slight horsepower increase.

Note: 3 Modified Engine= Modification includes bolt-on items and internal changes increasing horsepower



New York • 1-800-222-3375
631-244-8060 • fax 631-244-0556
61 Floyd Run, Bohemia, NY 11716

Puerto Rico
787-832-2499 • fax 787-832-2939
234 Balboa Street, Mayaguez, Puerto Rico 00681-2605

e-mail: info@wsmparts.com • www.wsmparts.com



Impellers



| ENGINE | MODEL | YEAR | SERIES | NOTE | PITCH | | |
|--------------------------|----------------------|-----------|------------------|-----------|-------------|---|-------------|
| SEA-DOO continued | | | | | | | |
| 782 | GTI LE RFI | 2003-2004 | X-Prop | | | | |
| | | | ST-SC-XO | 1 & 2 | (14.5-17.5) | | |
| | | | ST-SC-XI | 3 | (15.5-18.5) | | |
| 720 | GTI LE | 2002-2004 | Concord | | | | |
| | | | ST-CD-10/16 | 1 & 2 | | | |
| | | | GTI | 2001-2004 | | | |
| 720 | GTS | 2001 | Concord | | | | |
| | | | SD-CD-13/21 | 1 | | | |
| | | | SD-CD-14/22 | 2 | | | |
| | | | SD-CD-15/23 | 3 | | | |
| | | | GSI | 1997-2001 | | | |
| | | | GTI | 1996-2000 | | | |
| | | | GTS | 1997-2000 | X-Prop | | |
| | | | HX | 1995-1997 | SD-SC-X | 1 | (16-23) |
| | | | SP | 1997 | SD-SC-XI | 2 | (16.5-23.5) |
| | | | SPX | 1996 | SD-SC-XO | 3 | (17-24) |
| 650 | | | IJK Series | | | | |
| | | | SD-SC-I | 1 | (14-19) | | |
| | | | SD-SC-J | 2 | (15-20) | | |
| | | | ABC Series | | | | |
| | | | SD-SC-A | 1 | (13-18) | | |
| 650 | GTX | 1994-1995 | SD-SC-B | 2 | (14-19) | | |
| | | | SD-SC-C | 3 | (15-20) | | |
| | | | SPX | 1994-1995 | | | |
| | | | XP | 1993-1995 | IJK Series | | |
| | | | SD-SC-I | 1 | (14-19) | | |
| 580 | | | SD-SC-J | 2 | (15-20) | | |
| | | | ABC Series | | | | |
| | | | SD-SC-A | 1 | (13-18) | | |
| | | | SD-SC-B | 2 | (14-19) | | |
| | | | SD-SC-C | 3 | (15-20) | | |
| | | | SPI | 1993-1996 | IJK Series | | |
| | | | SPX | 1993 | SD-SC-I | 1 | (14-19) |
| XP | 1992 | SD-SC-J | 2 | (15-20) | | | |
| TIGER SHARK | | | | | | | |
| 1100 | TS 1100R / TS 1100LI | 99 | Concord | | | | |
| | | | PA-CD-14/20 | 1,2 | | | |
| | | | PA-CD-15/21 | 3 | | | |
| 999 | TS 1000L / TS 1000R | 98-99 | Xprop | | | | |
| | | | TB-SC-X | 1 | (15-18) | | |
| | | | TB-SC-XO | 2 | (15.5-18.5) | | |
| | | | TB-SC-XI | 3 | (16-19) | | |
| | | | Daytona 1000 | 97 | | | |
| | | | Daytona 1000R | 98 | IJK Series | | |
| | | | Monte Carlo 1000 | 97 | TB-SC-I | 1 | (15.5-19.5) |
| | | | TB-SC-J | 2 | (16-20.5) | | |
| | | | TB-SC-K | 3 | (16-21) | | |

Note: 1 Stock Engine= No Modification made to Engine

Note: 2 Limited Engine= Little Modification limited to bolt on items with slight horsepower increase.

Note: 3 Modified Engine= Modification includes bolt-on items and internal changes increasing horsepower



Drive System

2011 Watercraft Parts & Accessories

Impellers



Drive System

2014 Watercraft Parts & Accessories

| ENGINE | MODEL | YEAR | SERIES | NOTE | PITCH | | |
|------------------------------|--|------------------------|------------------------------|-------|--------------------|-------|--|
| TIGER SHARK continued | | | | | | | |
| 896 | Monte Carlo 900 | 96 | Xprop TB-SC-X | 1 | (15-18) | | |
| | | | TB-SC-X0 | 2 | (15.5-18.5) | | |
| | | | TB-SC-XI | 3 | (16-19) | | |
| | | | IJK Series TB-SC-I | 1 | (15.5-19.5) | | |
| | | | TB-SC-J | 2 | (16-20.5) | | |
| | | | TB-SC-K | 3 | (16-21) | | |
| 768 | TS 770R / TS 770R | 98-99 | Xprop | | | | |
| | TS 770 | 98-99 | TB-SC-X | 1,2 | (15-18) | | |
| | Daytona 770R/ 700 | 98 | TB-SC-X0 | 3 | (15.5-18.5) | | |
| | Monte Carlo 770 | 96-97 | TB-SC-I | 1,2,3 | (15.5-19.5) | | |
| 639 | TS 640/640L | 98-99 | IJK Series | | | | |
| | MONTEGO DELUXE | 95-97 | TB-SC-I | 1 & 2 | (15.5-19.5) | | |
| | Montego | 94 & UP | TB-SC-J | 3 | (16-20.5) | | |
| 639 | Monte Carlo | 94-97 | IJK Series TA-SC-I | 1 & 2 | (14.5-18) | | |
| | Barracuda | 94-95 | TA-SC-J | 3 | (15.5-19) | | |
| | Daytona | 94-95 | | | | | |
| YAMAHA | | | | | | | |
| 1812 | | | Dyna Fly | | | | |
| | | | YS-DF-14/21 | 1 & 2 | | | |
| | | | FX High Output | 2009 | YS-DF-15/22 | 2 & 3 | |
| | | | FX CRUISER High Output | 2009 | | | |
| | | | SHO, SHO FZR/FZS | 2008 | Concord | | |
| 1100 | VX Deluxe / VX 110 Sport VX Crusier | 2005-2007 2007 | Concord | | | | |
| | | | YH-CD-18/22 | 1 & 2 | | | |
| | | | | | | | |
| | | | YH-CD-14/23 | 2 & 3 | | | |
| | | | | | | | |
| 1100 | FX & Cruiser High Output | 2004-2007 | DynaFly | | | | |
| | | | YG-DF-14/20 | 1 & 2 | | | |
| | | | YG-DF-15/22 | 2 & 3 | | | |
| 1000 | FX-140 FX Cruiser | 2003-2005 2003-2007 | Concord | | | | |
| | | | YF-CD-12/18 | 1 | | | |
| | | | YF-CD-13/19 | 2 & 3 | | | |
| 1300 | GP1300R | 2005-2007 | Dyna Fly | | | | |
| | | | YG-DF-14/20 | 1 & 2 | | | |
| | | | YG-DF-15/22 | 2 | | | |
| | | | | | | | |
| | | | | | | | |
| 1200 | Wave Runner XLT 1200 | 1999-2005 | Concord | | | | |
| | | | YF-CD-12/18 | 1 | | | |
| | | | YF-CD-13/19 | 1 & 2 | | | |
| | | | YF-CD-14/20 | 3 | | | |

Note: 1 Stock Engine = No Modification made to Engine

Note: 2 Limited Engine = Little Modification limited to bolt on items with slight horsepower increase.

Note: 3 Modified Engine = Modification includes bolt-on items and internal changes increasing horsepower



New York • 1-800-222-3375
631-244-8060 • fax 631-244-0556
61 Floyd Run, Bohemia, NY 11716

Puerto Rico
787-832-2499 • fax 787-832-2939
234 Balboa Street, Mayaguez, Puerto Rico 00681-2605

e-mail: info@wsmparts.com • www.wsmparts.com



Impellers



| ENGINE | MODEL | YEAR | SERIES | NOTE | PITCH | | | | | | |
|-------------------------|---------------------|-------------|-------------|-----------------|-------------|-------------|----------------|-------------|-------------|-------------|--|
| YAMAHA continued | | | | | | | | | | | |
| 1200 | Wave Runner XL 1200 | 1998-1999 | Concord | | | | | | | | |
| | | | YD-CD-12/18 | 1 & 2 | | | | | | | |
| | | | YD-CD-13/19 | 2 & 3 | | | | | | | |
| | | | YF-CD-12/18 | 1 & 2 | | | | | | | |
| | | | YF-CD-13/19 | 2 & 3 | | | | | | | |
| | | | IJK Series | | | | | | | | |
| | | | YD-SC-S | 1 | (12-18.5) | | | | | | |
| | | | YD-SC-I | 1 & 2 | (13-19) | | | | | | |
| | | | YD-SC-J | 3 | (14-20) | | | | | | |
| | | | 1200 | Wave Runner SUV | 1999-2003 | Concord | | | | | |
| YF-CD-12/18 | 1 & 2 | | | | | | | | | | |
| 1200 | Wave Runner GP | 1999-2002 | | | | Concord | | | | | |
| | | | | | | YF-CD-13/19 | 1 & 2 | | | | |
| | | | | | | YF-CD-14/20 | 3 | | | | |
| | | | | | | X-Prop | | | | | |
| | | | | | | YD-SC-XO | 1 & 2 | (14.5-17.5) | | | |
| | | | | | | YD-SC-XI | 3 | (15.5-18.5) | | | |
| | | | | | | 1200 | Wave Runner GP | 1997-1999 | Concord | | |
| | | | | | | | | | YD-CD-13/19 | 1 & 2 | |
| | | | YD-CD-14/20 | 3 | | | | | | | |
| | | | 1100 | | | | | | Concord | | |
| YD-CD-12/18 | 1 & 2 | | | | | | | | | | |
| YD-CD-13/19 | 3 | | | | | | | | | | |
| Xprop | | | | | | | | | | | |
| Wave Raider | 1995-1996 | YD-SC-X | | | | | | | 1 & 2 | (13-16) | |
| Wave Venture | 1996-1997 | YD-SC-XO | | | | | | | 3 | (14.5-17.5) | |
| IJK Series | | | | | | | | | | | |
| YD-SC-I | 1 & 2 | (13-19) | | | | | | | | | |
| YD-SC-J | 3 | (14-20) | | | | | | | | | |
| 800 | Wave Runner XL | 1998-2004 | | | | Concord | | | | | |
| | | | YF-CD-11/14 | 2 | | | | | | | |
| | | | YB-CD-13/17 | 1 | | | | | | | |
| | | | YB-CD-14/18 | 2 | | | | | | | |
| | | | YB-CD-15/19 | 3 | | | | | | | |
| | | | Xprop | | | | | | | | |
| | | | YB-SC-X | 1 | (15-18) | | | | | | |
| | | | YB-SC-XO | 2 | (15.5-18.5) | | | | | | |
| | | | YB-SC-XI | 3 | (16-19) | | | | | | |
| | | | IJK Series | | | | | | | | |
| YB-SC-I | 1 | (14.5-18) | | | | | | | | | |
| YB-SC-J | 2 | (14.7-18.5) | | | | | | | | | |
| YB-SC-K | 3 | (15-19) | | | | | | | | | |
| 800 | Wave Runner GPR | 2001-2005 | Concord | | | | | | | | |
| | XLT | 2002-2004 | YF-CD-11/14 | 1 | | | | | | | |

Note: 1 Stock Engine= No Modification made to Engine

Note: 2 Limited Engine= Little Modification limited to bolt on items with slight horsepower increase.

Note: 3 Modified Engine= Modification includes bolt-on items and internal changes increasing horsepower



Drive System

2011 Watercraft Parts & Accessories

Impellers



| ENGINE | MODEL | YEAR | SERIES | NOTE | PITCH |
|-------------------------|---|--------------------------------|-------------|-------|-------------|
| YAMAHA continued | | | | | |
| 800 | Wave Runner GP | 1998-2000 | Concord | | |
| | | | YB-CD-13/17 | | |
| | | | YB-CD-14/18 | 1 | |
| | | | YB-CD-15/19 | 2 | |
| | | | YB-CD-16/20 | 3 | |
| | | | Xprop | | |
| | | | YB-SC-X0 | 1 & 2 | (15.5-18.5) |
| | | | YB-SC-XI | 3 | (16-19) |
| | | | IJK Series | | |
| | | | YB-SC-J | 1 & 2 | (14.7-18.5) |
| YB-SC-K | 3 | (15-19) | | | |
| 760 | Wave Runner GP Wave Raider | 1997-2000 1996 | Concord | | |
| | | | YB-CD-13/17 | 1 | |
| | | | YB-CD-14/18 | 2 | |
| | | | YB-CD-15/19 | 3 | |
| | | | Xprop | | |
| | | | YB-SC-X | 1 | (15-18) |
| | | | YB-SC-X0 | 2 | (15.5-18.5) |
| | | | YB-SC-XI | 3 | (16-19) |
| | | | IJK Series | | |
| | | | YB-SC-I | 1 | (14.5-18) |
| YB-SC-J | 2 | (14.7-18.5) | | | |
| YB-SC-K | 3 | (15-19) | | | |
| 760 | Wave Blaster II Wave Venture XL | 1996-1997 1997 1998-1999 | Concord | | |
| | | | YD-CD-11/14 | 1 & 2 | |
| | | | Xprop | | |
| | | | YD-SC-X | 1 & 2 | (13-16) |
| | | | IJK Series | | |
| | | | YD-SC-S | 1 & 2 | (12-18.5) |
| | | | YD-SC-I | 3 | (13-19) |
| | | | Concord | | |
| | | | YB-CD-13/17 | 1 & 2 | |
| | | | YB-CD-14/18 | 3 | |
| 701 | Wave Raider Wave Raider Deluxe Wave Venture | 1994-1997 1995 1995-1996 | X-Prop | | |
| | | | YB-SC-X | 1 | (15-18) |
| | | | YB-SC-X0 | 2 | (15.5-18.5) |
| | | | YB-SC-XI | 3 | (16-19) |
| | | | IJK Series | | |
| | | | YB-SC-J | 1 | (14.7-18.5) |
| | | | YB-SC-K | 2 & 3 | (15-19) |

Drive System

2014 Watercraft Parts & Accessories

Note: 1 Stock Engine= No Modification made to Engine

Note: 2 Limited Engine= Little Modification limited to bolt on items with slight horsepower increase.

Note: 3 Modified Engine= Modification includes bolt-on items and internal changes increasing horsepower



New York • 1-800-222-3375
631-244-8060 • fax 631-244-0556
61 Floyd Run, Bohemia, NY 11716

Puerto Rico
787-832-2499 • fax 787-832-2939
234 Balboa Street, Mayaguez, Puerto Rico 00681-2605

e-mail: info@wsmparts.com • www.wsmparts.com



Impellers



| ENGINE | MODEL | YEAR | SERIES | NOTE | PITCH | | | |
|-------------------------|-------------------------|------------------------|-------------|------------|-------------|-------------|-----|-------------|
| YAMAHA continued | | | | | | | | |
| 701 | | | Concord | | | | | |
| | | | YB-CD-13/17 | 1 & 2 | | | | |
| | | | YB-CD-14/18 | 3 | | | | |
| | Wave Blaster Pro VXR | 1993-1997 | 1993-1995 | Xprop | | | | |
| | | | | YB-SC-X | 1 | (15-18) | | |
| | | | | YB-SC-XO | 2 | (15.5-18.5) | | |
| | | | | YB-SC-XI | 3 | (16-19) | | |
| | | | | IJK Series | | | | |
| | | | | YD-SC-I | 1 | (14.5-18) | | |
| | | | | YB-SC-J | 2 | (14.7-18.5) | | |
| | | | YB-SC-K | 3 | (15-19) | | | |
| 701 | SuperJet | 1994-2008 | Concord | | | | | |
| | | | YB-CD-13/17 | 1 & 2 | | | | |
| | | | YB-CD-14/18 | 3 | | | | |
| | | | | | | YQ-CD-12/18 | 1 | |
| | | | | | | YQ-CD-13/19 | 2,3 | |
| | | | | | | YQ-CD-14/21 | 3 | |
| | | | | | | YQ-CD-15/22 | 3 | |
| | | | | | | YQ-CD-16/23 | 3 | |
| | | | | | | IJK Series | | |
| | | | | | | YB-SC-I | 1 | (14.5-18) |
| | | | | | | YB-SC-J | 2 | (14.7-18.5) |
| | | | | | | YB-SC-K | 3 | (15-19) |
| | | | 701 | XL | 1999-2005 | Concord | | |
| YD-CD-11/14 | 1 & 2 | | | | | | | |
| 650 | SuperJet | 1990-1993 | IJK Series | | | | | |
| | | | YB-SC-I | 1 | (14.5-18) | | | |
| | | | YB-SC-J | 2 | (14.7-18.5) | | | |
| | | | YB-SC-K | 3 | (15-19) | | | |
| 650 | Wave Runner III VXR | 1991-1996 1991-1995 | IJK Series | | | | | |
| | | | YB-SC-S | 1 | (14-17) | | | |
| | | | YB-SC-I | 2 | (14.5-18) | | | |
| | | | YB-SC-J | 3 | (14.7-18.5) | | | |
| 650 | Wave Jammer / LX | ALL | ABC Series | | | | | |
| | | | YA-SC-A | 1 & 2 | (13-18) | | | |
| | | | YA-SC-B | 3 | (14-19) | | | |
| 500 | WR / WJ | ALL | ABC Series | | | | | |
| | | | YA-SC-A | 1 | (13-18) | | | |
| | | | YA-SC-B | 2,3 | (14-19) | | | |

Note: 1 Stock Engine= No Modification made to Engine

Note: 2 Limited Engine= Little Modification limited to bolt on items with slight horsepower increase.

Note: 3 Modified Engine= Modification includes bolt-on items and internal changes increasing horsepower



Drive System

2011 Watercraft Parts & Accessories

Impellers



Impellers Application Chart

| MODEL | YEAR | ENGINE (c.c.) | O.D. (mm) | WSM PART NO'S | | |
|--------------------|-------|------------------|--------------|-----------------------|--------------------------------|-----------------------------------|
| | | | | STOCK (Bone stock) | LIMITED (Add bolt-on parts) | MODIFIED (Major modifications) |
| HONDA | | | | | | |
| F-12 | 02-04 | 1235 | 155 | N/A | N/A | N/A |
| F-12 | 05-06 | 1235 | 147 | N/A | N/A | N/A |
| F-12X GPSCAPE | 05-06 | 1235 | 155 | N/A | N/A | N/A |
| KAWASAKI | | | | | | |
| Ultra 150 | 99-05 | 1176 | 136-157 | KW-D61 | KW-D61 | - |
| Ultra 130 DI | 01-04 | 1071 | 148 | KW-C5 | KW-C55 | KW-C55 |
| STX-15F (4 stroke) | 04-06 | 1498 | 82 | N/A | N/A | N/A |
| STX-12F (4 stroke) | 03-06 | 189 | 82 | N/A | N/A | N/A |
| STX 1200-R | 02-05 | 1176 | 148 | KW-C5 | KW-C55 | KW-C55 |
| STX 1100 | 97-99 | 1071 | 148 | KW-C5 | KW-C5 | KW-C55 |
| STX 1100 DI | 01-03 | 1071 | 148 | KW-C5 | KW-C5 | KW-C55 |
| STX 900 | 01-06 | 891 | 148 | - | KW-C5 | KW-C55 |
| STX 900 | 99-00 | 891 | 140 | KW-B5 | KW-B5 / KW-B55 | KW-B55 |
| STX 900 | 97-98 | 891 | 140 | KW-A?? | | |
| STS 900 | 01-02 | 891 | 140 | KW-B5 | KW-B5 / KW-B55 | KW-B55 |
| 800SX-R | 03-06 | 782 | N/A | N/A | N/A | N/A |
| STX 750 | 98 | 743 | 140 | KW-A5 | KW-A5 / KW-A55 | KW-A55 |
| ZXi 1100 | 96-03 | 1071 | 148 | KW-C5 | KW-C55 | KW-C55 |
| ZXi 900 | 95-97 | 891 | 140 | KW-B5 | KW-B5 / KW-B55 | KW-B55 |
| ZXi 750 | 95-97 | 743 | 140 | KW-B?? | KW-B?? | KW-B?? |
| STS 750 | 95-97 | 743 | 140 | KW-A5 | KW-A5 / KW-A55 | KW-A55 |
| SS 750 | 92-97 | 743 | 140 | - | KW-A5 | KW-A5 |
| ST 750 | 94-95 | 743 | 140 | - | KW-A5 | KW-A5 |
| XiR 750 | 94 | 743 | 140 | - | KW-A5 | KW-A5 |
| Xi SuperSport 750 | 93-97 | 743 | 140 | | KW-A5 | KW-A5 |
| Xi Sport 750 | 98-99 | 743 | 140 | KW-A5 | KW-A5 / KW-A55 | KW-A55 |
| Xi 750 | 93-97 | 743 | 140 | KW-A5 | KW-A5 / KW-A55 | KW-A55 |
| SXi Pro 750 | 98-02 | 743 | 140 | KW-A5 | KW-A5 / KW-A55 | KW-A55 |
| SXi 750 | 95-96 | 743 | 140 | KW-A5 | KW-A5 / KW-A55 | KW-A55 |
| SX 750 | 92-95 | 743 | 140 | - | KW-A5 | KW-A5 |
| POLARIS | | | | | | |
| MSX 110 | 03-04 | 750 | 148 | PL-A65 | PL-A7 | PL-A75 |
| MSX 140 | 03-04 | 1192 | 148 | PL-A7 | PL-A7 | PL-A75 |
| MSX 150 | 03-04 | 750 | 148 | PL-A7 | PL-A7 | PL-A75 |
| Genesis I | 01-04 | 1165 | 148 | PL-A7 | PL-A7 | PL-A75 |
| Genesis | 99-02 | 1165 | 148 | PL-A7 | PL-A7 | PL-A75 |
| Genesis FFI | 99-00 | 1165 | 148 | PL-A7 | PL-A7 | PL-A75 |
| Virage TXi | 01-02 | 1165 | 148 | PL-A7 | PL-A7 | PL-A75 |
| Virage TX | 00-02 | 1165 | 148 | PL-A7 | PL-A7 | PL-A75 |
| Virage I | 02-04 | 777 | 148 | PL-A5 | PL-A5 | PL-A55 |
| Virage | 00-04 | 701 | 148 | PL-A5 | PL-A5 | PL-A55 |
| Freedom | 02-04 | 701 | 148 | PL-A5 | PL-A5 | PL-A55 |
| PRO 1200 | 00-01 | 1165 | 148 | PL-A7 | PL-A7 | PL-A75 |
| PRO 785 | 97-01 | 779 | 148 | PL-A45 / PL-A47 | PL-A45 / PL-A47 | PL-A5 |
| X45 | 99 | 1165 | 148 | PL-A7 | PL-A7 | PL-A75 |
| SLTX 1050 | 96-99 | 1050 | 148 | PL-A65 / PL-A7 | PL-A7 | PL-A7 |
| SLTH 700 | 98-99 | 700 | 148 | PL-A45 / PL-A47 | PL-A5 | PL-A55 |

Drive System

2014 Watercraft Parts & Accessories



New York • 1-800-222-3375
631-244-8060 • fax 631-244-0556
61 Floyd Run, Bohemia, NY 11716

Puerto Rico
787-832-2499 • fax 787-832-2939
234 Balboa Street, Mayaguez, Puerto Rico 00681-2605

e-mail: info@wsmparts.com • www.wsmparts.com



Impellers



Impellers Application Chart

| MODEL | YEAR | ENGINE (c.c.) | O.D. (mm) | WSM PART NO'S | | |
|--------------------------|-------|------------------|--------------|-----------------------|--------------------------------|-----------------------------------|
| | | | | STOCK (Bone stock) | LIMITED (Add bolt-on parts) | MODIFIED (Major modifications) |
| POLARIS continued | | | | | | |
| SLT 780 | 96-97 | 780 | 148 | PL-A5 | PL-A5 / PL-A55 | PL-A55 |
| SLT 750 | 94-95 | 750 | 148 | PL-A5 / PL-A55 | PL-A5 / PL-A55 | PL-A55 |
| SLT 700 | 96-97 | 700 | 148 | PL-A5 | PL-A5 | PL-A55 |
| SLXH 1050 | 98 | 1050 | 148 | PL-A65 / PL-A7 | PL-A7 | PL-A7 |
| SLX 1200 | 00-01 | 1165 | 148 | PL-A7 | PL-A7 | PL-A75 |
| SLX 1050 | 99 | 1050 | 148 | PL-A65 / PL-A7 | PL-A7 | PL-A7 |
| SLX 780 | 97-98 | 780 | 148 | PL-A5 / PL-A55 | PL-A5 / PL-A55 | PL-A55 / PL-A6 |
| SLH 700 | 98-00 | 700 | 148 | PL-A45 | PL-A5 | PL-A55 |
| SLH 700 | 01 | 700 | 148 | PL-A5 | PL-A5 / PL-A55 | PL-A55 |
| Hurricane 700 | 96-97 | 700 | 148 | PL-A5 | PL-A5 | PL-A55 |
| SL 1050 | 97 | 1050 | 148 | PL-A6 / PL-A65 | PL-A65 | PL-A65 |
| SL 900 | 96-97 | 900 | 148 | PL-A6 | PL-A6 / PL-A65 | PL-A65 |
| SL 780 | 96-97 | 780 | 148 | PL-A5 / PL-A55 | PL-A5 / PL-A55 | PL-A55 |
| SL 750 | 94-95 | 750 | 148 | PL-A5 | PL-A5 / PL-A55 | PL-A55 |
| SL 700 Deluxe | 97 | 700 | 148 | PL-A5 | PL-A5 | PL-A55 |
| SL 700 | 96-97 | 700 | 148 | PL-A5 | PL-A5 | PL-A55 |
| SL 650 | 94-95 | 650 | 148 | PL-A5 | PL-A5 | PL-A55 |
| SEA-DOO | | | | | | |
| LRV DI | 02-03 | 951 | 155 | SD-B6L | SD-B6L / SD-B65L | SD-B65L |
| LRV | 00-01 | 951 | 155 | SD-B6L | SD-B6L / SD-B65L | SD-B65L |
| GTX 4-TEC S.C. | 03-06 | 1494 | 155 | N/A | N/A | N/A |
| GTX 4-TEC Limited S.C. | 03-04 | 1494 | 155 | N/A | N/A | N/A |
| GTX 4-TEC | 02-06 | 1494 | 155 | N/A | N/A | N/A |
| Wake | 05-06 | 1494 | 155 | N/A | N/A | N/A |
| GTX 4-TEC WakeBoard | 04 | 1494 | 155 | N/A | N/A | N/A |
| GTX DI | 00-03 | 951 | 155 | SD-B57L / SD-B6L | SD-B6L / SD-B65L | SD-B65L |
| GTX / GTX Ltd. | 98-01 | 951 | 155 | SD-B6L | SD-B6L / SD-B65L | SD-B65L |
| GTX Limited | 05-06 | 1494 | 159 | SD-F5 | SD-F55 | SD-F6 |
| GTX RFI | 98-02 | 782 | 140 | SD-A62L | SD-A62L | - |
| GTX | 96-97 | 782 | 140 | SD-A6 / SD-A61 | SD-A6 / SD-A61 | SD-A65 |
| GTX | 02 | 951 | 155 | SD-B6L | SD-B6L | SD-B65L |
| RXT - 4 Tec | 05-06 | 1494 | 159 | SD-F5 | SD-F55 | SD-F6 |
| RXP - 4 Tec | 04-06 | 1494 | 159 | SD-F5 | SD-F55 | SD-F6 |
| RX DI | 00-03 | 951 | 155 | SD-B6L | SD-B6L | SD-B65L |
| RX | 00-01 | 951 | 155 | SD-B6L | SD-B6L / SD-B65L | SD-B65L |
| GSX RFI | 99-00 | 782 | 140 | SD-A62L | SD-A62L | - |
| GSX Ltd. | 98-99 | 951 | 155 | SD-B6L | SD-B6L / SD-B65L | SD-B65L |
| GSX Ltd. | 97-05 | 951 | 155 | SD-B5 | SD-B5 / SD-B55 | SD-B55 |
| GSX | 96-97 | 782 | 140 | SD-A6 / SD-A61 | SD-A6 / SD-A61 | SD-A65 |
| XP DI | 03-04 | 951 | 155 | SD-B6L | SD-B6L | SD-B65L |
| XP / XP Ltd. | 98-02 | 951 | 155 | SD-B6L | SD-B6L / SD-B65L | SD-B65L |
| XP | 96-97 | 782 | 140 | SD-A6 / SD-A61 | SD-A6 / SD-A61 | SD-A65 |
| XP | 95 | 718 | 140 | SD-A55 | SD-A55 | SD-A6 / SD-A61 |
| GTI / GTI SE | 2006 | 1494 | 155 | N/A | N/A | N/A |
| GTI RFI | 04 | 782 | 155 | SD-B6L | SD-B6L | SD-B65L |
| GTI RFI / GTI LE RFI | 03-04 | 782 | 155 | SD-B6L | SD-B6L | SD-B65L |
| GTI / GTI LE | 02-05 | 718 | 155 | SD-B57L | SD-B6L | SD-B65L |
| GTI LE | 2005 | 782 | 155 | SD-B6L | SD-B6L | SD-B65L |

Drive System

Watercraft Parts & Accessories

2011



Impellers



Impellers Application Chart

| MODEL | YEAR | ENGINE (c.c.) | O.D. (mm) | WSM PART NO'S | | |
|--------------------------|---------|------------------|--------------|-----------------------|--------------------------------|-----------------------------------|
| | | | | STOCK (Bone stock) | LIMITED (Add bolt-on parts) | MODIFIED (Major modifications) |
| SEA-DOO continued | | | | | | |
| GTi | 01 / 04 | 718 | 155 | SD-B57L | SD-B6L | SD-B65L |
| GTi | 96-00 | 718 | 140 | SD-A55 | SD-A55 | SD-A6 / SD-A61 |
| GTS | 01 | 718 | 155 | N/A | N/A | SD-B6L |
| GTS | 97-00 | 718 | 140 | SD-A55 | SD-A55 | SD-A6 / SD-A61 |
| GTS | 92-96 | 580 | 140 | N/A | N/A | N/A |
| GSi | 97 | 718 | 140 | SD-A55 | SD-A55 | SD-A6 / SD-A61 |
| GS | 97-01 | 718 | 140 | SD-A55 | SD-A55 | SD-A6 / SD-A61 |
| HX | 95-97 | 718 | 140 | SD-A55 | SD-A55 | SD-A6 / SD-A61 |
| SPX | 99 | 782 | 140 | SD-A62L | SD-A62L | - |
| SPX | 97-98 | 782 | 140 | SD-A6 / SD-A61 | SD-A6 / SD-A61 | SD-A65 |
| SPX | 96 | 718 | 140 | SD-A55 | SD-A55 | SD-A6 / SD-A61 |
| SPi | 93-94 | 580 | 140 | N/A | N/A | N/A |
| SP | 97 | 718 | 140 | SD-A55 | SD-A55 | SD-A6 / SD-A61 |
| SP | 88-96 | 580 | 140 | N/A | N/A | N/A |
| 3D -DI | 05-06 | 951 | 155 | N/A | N/A | N/A |
| TIGERSHARK | | | | | | |
| TS1100R | 99 | 1100 | 148 | TS-B55 | TS-B55 | - |
| Daytona 1000 | 97-98 | 1000 | 146 | TS-A6 | TS-A6 | - |
| Monte Carlo 1000 | 97-98 | 1000 | 146 | TS-A6 | TS-A6 | - |
| Daytona 770 | 96-99 | 770 | 146 | TS-A55 | TS-A55 | TS-A6 |
| Monte Carlo 770 | 96-99 | 770 | 146 | TS-A55 | TS-A55 | TS-A6 |
| TS770 | 98-99 | 770 | 146 | TS-A55 | TS-A55 | TS-A6 |
| Monte Carlo 640 | 97-98 | 640 | 146 | TS-A5 | TS-A5 | TS-A55 |
| Montego 640 | 97-98 | 640 | 146 | TS-A5 | TS-A5 | TS-A55 |
| Montego Deluxe 640 | 97-99 | 640 | 146 | TS-A5 | TS-A5 | TS-A55 |
| YAMAHA | | | | | | |
| FX Cruiser HO | 2004-06 | 1052 | 155 | YM-F5 | YM-F55 | YM-F6 |
| FX High Output | 2004-06 | 1052 | 155 | YM-F5 | YM-F55 | YM-F6 |
| FX Cruiser HO 50 Anniv. | 2006 | 1052 | 155 | YM-F5 | YM-F55 | YM-F6 |
| FX Cruiser | 03-06 | 998 | 155 | N/A | N/A | N/A |
| FX 140 | 02-06 | 998 | 155 | N/A | N/A | N/A |
| FX 140 / Waverunner FX | 02-05 | 998 | 155 | N/A | N/A | N/A |
| SUV 1200 | 99-04 | 1131 | 155 | YM-C6 | YM-C6 / YM-C65 | YM-C65 |
| GP 1300R | 03-04 | 1296 | 155 | YM-C6 | YM-C65 | YM-C65 |
| GP 1300R (bigger hub) | 05-06 | 1296 | 155 | YM-F5 | YM-F55 | YM-F6 |
| GP 1200 | 97-99 | 1200 | 155 | YM-B55 / YM-B6 | YM-B6 / YM-B65 | YM-B65 |
| GP 1200R | 00-02 | 1200 | 155 | YM-C6 | YM-C6 / YM-C65 | YM-C65 |
| GP 800 | 97-00 | 800 | 144 | YM-A5 | YM-A5 / YM-A55 | YM-A6 |
| GP 800R | 01-05 | 800 | 155 | ?YM-C55? | YM-C55 / YM-C6 | YM-C6 |
| GP 760 | 97-00 | 760 | 144 | YM-A5 | YM-A5 / YM-A55 | YM-A6 |
| XLT 1200 | 99-05 | 1200 | 155 | YM-C55 | YM-C6 / YM-C65 | YM-C65 |
| XL 1200 | 98 | 1200 | 155 | YM-B55 / YM-B6 | YM-B6 / YM-B65 | YM-B65 |
| XL 1200 Ltd | 99-00 | 1200 | 155 | YM-C6 | YM-C6 / YM-C65 | YM-C65 |
| XLT 800 | 02-04 | 800 | 155 | YM-C55 | YM-C6 | YM-C65 |
| XL 800 | 00-01 | 800 | 155 | YM-C55 | YM-C55 / YM-C6 | YM-C6 |
| XL 760 | 98-99 | 760 | 155 | YM-B5 | YM-B5 / YM-B55 | YM-B55 |
| XL 700 | 99-04 | 701 | 155 | YM-B5 | YM-B5 / YM-B55 | YM-B55 |

Drive System

2011 Watercraft Parts & Accessories



New York • 1-800-222-3375
631-244-8060 • fax 631-244-0556
61 Floyd Run, Bohemia, NY 11716

Puerto Rico
787-832-2499 • fax 787-832-2939
234 Balboa Street, Mayaguez, Puerto Rico 00681-2605

e-mail: info@wsmparts.com • www.wsmparts.com



Impellers



Impellers Application Chart

| MODEL | YEAR | ENGINE (c.c.) | O.D. (mm) | WSM PART NO'S | | |
|-------------------------|-----------|------------------|--------------|-----------------------|--------------------------------|-----------------------------------|
| | | | | STOCK (Bone stock) | LIMITED (Add bolt-on parts) | MODIFIED (Major modifications) |
| YAMAHA continued | | | | | | |
| VX110 Deluxe - 4 stroke | 05-06 | 1052 | 155 | N/A | N/A | N/A |
| VX110 Sport - 4 stroke | 05-07 | 1052 | 155 | N/A | N/A | N/A |
| WaveBlaster II | 96-97 | 760 | 155 | YM-B5 | YM-B5 / YM-B55 | YM-B55 |
| WaveBlaster 701 | 93-97 | 701 | 144 | YM-A5 | YM-A5 / YM-A55 | YM-A55 |
| WaveRaider 1100 | 95-96 | 1100 | 155 | YM-B55 | YM-B55 / YM-B6 | YM-B6 |
| WaveRaider 760 | 96 | 760 | 144 | YM-A55 | YM-A55 / YM-A6 | YM-A6 |
| WaveRaider 701 | 94-97 | 701 | 144 | YM-A5 | YM-A5 / YM-A55 | YM-A55 |
| WaveRaider Deluxe | 95 | 701 | 144 | YM-A5 | YM-A55 / YM-A6 | YM-A6 |
| WaveVenture 1100 | 96-97 | 1100 | 155 | YM-B5 / YM-B55 | YM-B55 | YM-B6 |
| WaveVenture 760 | 97 | 760 | 155 | YM-B5 | YM-B5 / YM-B55 | YM-B55 |
| WaveVenture 701 | 95-97 | 701 | 144 | YM-A5 | YM-A5 / YM-A55 | YM-A55 |
| WaveVenture 701 | 98 | 701 | 155 | N/A | YM-B5 | YM-B5 |
| SuperJet 701 | 94-06 | 701 | 144 | YM-A5 | YM-A5 / YM-A55 | YM-A55 |
| FX -1 | 94-95 | 650 | N/A | N/A | N/A | N/A |
| SuperJet 650 | 90-93 | 650 | 144 | - | YM-A5 | YM-A55 |
| WaveRunner III 701 | 97 (65hp) | 701 | 144 | - | YM-A5 | YM-A5 |
| WaveRunner III GP700 | 95 | 701 | 144 | N/A | YM-A5 | YM-A51 |

You need to make a YM-C5 using the base of the YM-B5 with larger threads (use on XL & XLT 2000-2004 also GP800R 2001-05)

Drive System

2011 Watercraft Parts & Accessories

